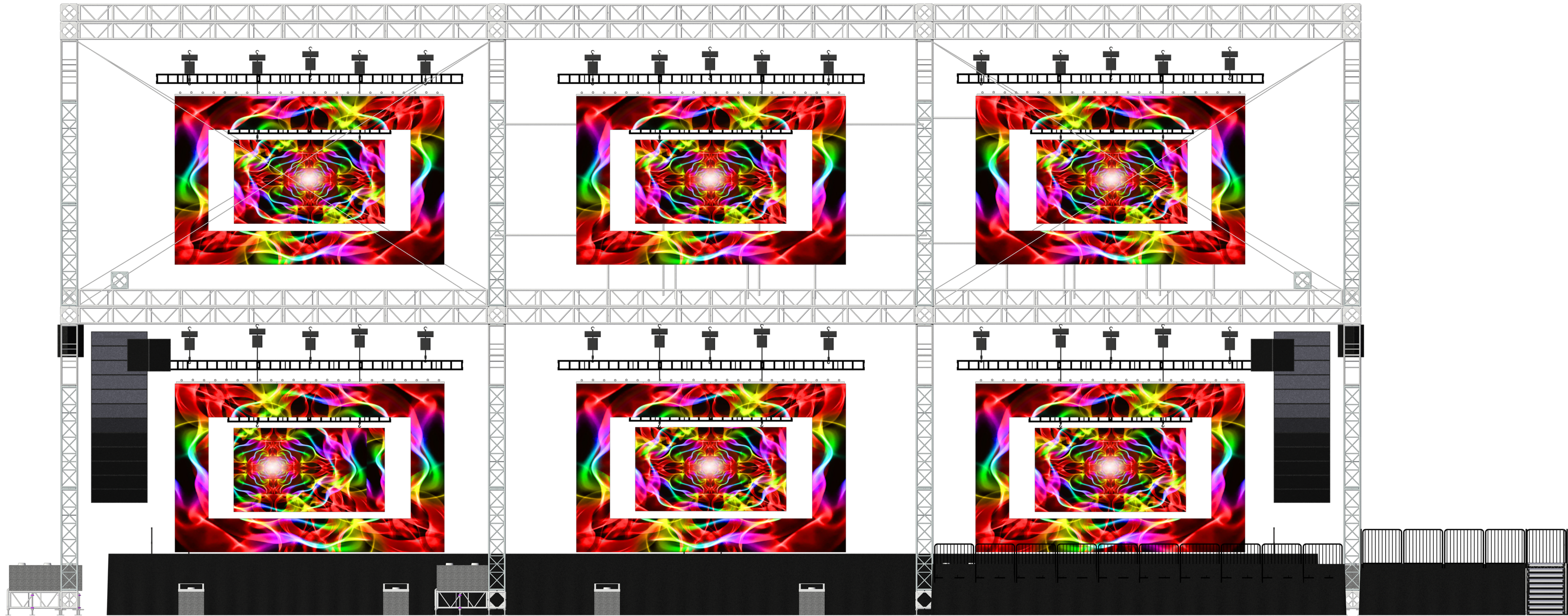


NOTES:

EDC Stage 7 - Quantum Valley
Insomniac
Las Vegas, NV



REVISIONS:	XXXXX
XXXXX	XXXXX
XXXXX	XXXXX
XXXXX	XXXXX

JOB NUMBER:
XX-XXX

INSTALL DATE:
5/8/18

DRAWING DESCRIPTION:
Front View - Live

FILE NAME:
EDCLV18_St7_Plot.vwx

CREATED:
3/4/18

LAST REVISION:
4/26/18

SCALE:
FITTED PDF'S & FAXES
ARE NOT TO THIS SCALE
(PLEASE USE GRAPHIC
SCALE)

STAMP:

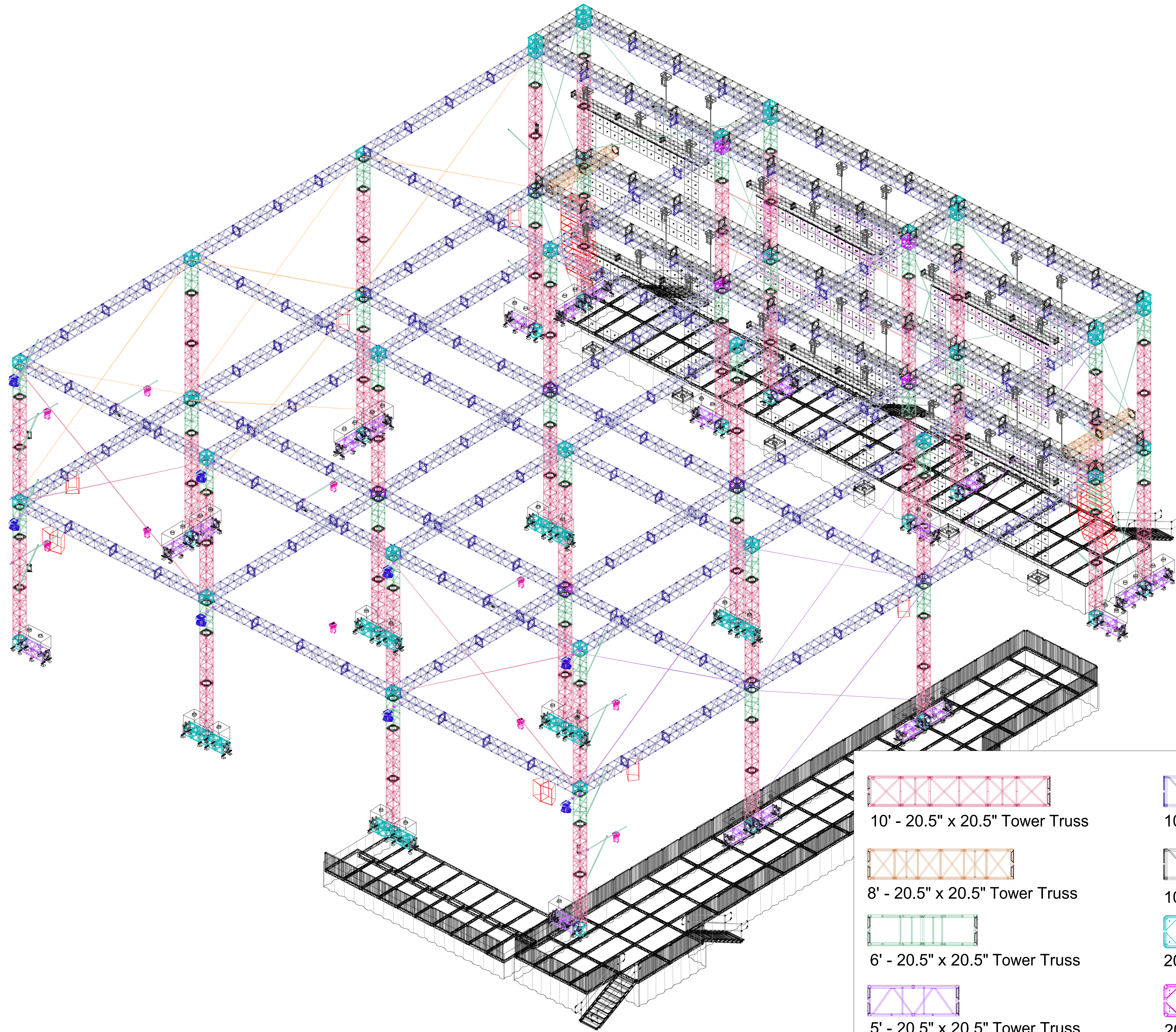
SHEET:
1/18

SHEET SIZE:
24" x 36" (D SIZE)

CREATED BY:
Kelsey McGill

NOTES:

EDC Stage 7 - Quantum Valley
Insomniac
Las Vegas, NV



10' - 20.5" x 20.5" Tower Truss	10' - 20.5" x 20.5" Box Truss - Silver
8' - 20.5" x 20.5" Tower Truss	10' - 20.5" x 20.5" Box Truss - Black
6' - 20.5" x 20.5" Tower Truss	20.5" x 20.5" 5-Way Box Truss
5' - 20.5" x 20.5" Tower Truss	20.5" x 20.5" 6-Way Corner

REVISIONS:	XXXXX
XXXXX	XXXXX
XXXXX	XXXXX
XXXXX	XXXXX

JOB NUMBER:
XX-XXX

INSTALL DATE:
5/8/18

DRAWING DESCRIPTION:
Isometric

FILE NAME:
EDCLV18_St7_Plot.vwx

CREATED:
3/4/18

LAST REVISION:
4/26/18

SCALE:
FITTED PDF'S & FAXES
ARE NOT TO THIS SCALE
(PLEASE USE GRAPHIC
SCALE)

STAMP:

SHEET:
2/18

SHEET SIZE:
24" x 36" (D SIZE)

CREATED BY:
Kelsey McGill

NOTES:

EDC Stage 7 - Quantum Valley
Insomniac
Las Vegas, NV

REVISIONS:	XXXXX
XXXXX	XXXXX
XXXXX	XXXXX
XXXXX	XXXXX

JOB NUMBER:
XX-XXX

INSTALL DATE:
5/8/18

DRAWING DESCRIPTION:
Top View

FILE NAME:
EDCLV18_St7_Plot.vwx

CREATED:
3/4/18

LAST REVISION:
4/26/18

SCALE:
"FITTED" .PDF'S & FAXES
ARE NOT TO THIS SCALE
(PLEASE USE GRAPHIC
SCALE)

STAMP:

SHEET:
3/18

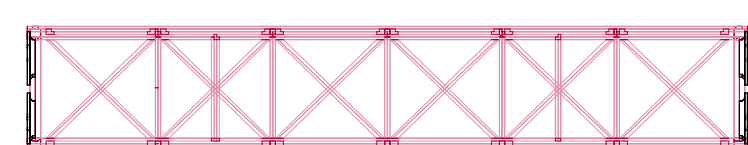
SHEET SIZE:
24" x 36" (D SIZE)

CREATED BY:
Kelsey McGill

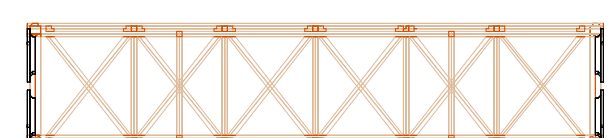
Full Lego Double Ballast (DB)

Full Lego Single Ballast (SB)

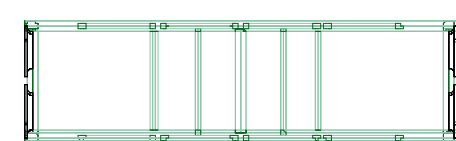
1/2 Lego Double Ballast (DB)



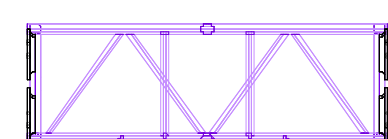
10' - 20.5" x 20.5" Tower Truss



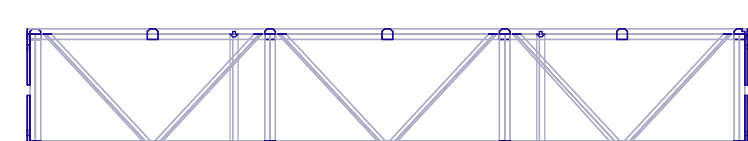
8' - 20.5" x 20.5" Tower Truss



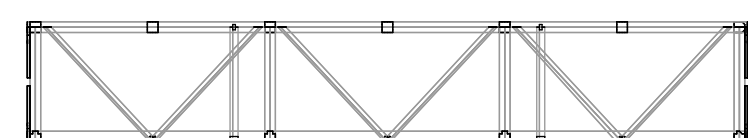
6' - 20.5" x 20.5" Tower Truss



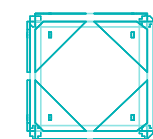
5' - 20.5" x 20.5" Tower Truss



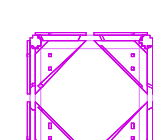
10' - 20.5" x 20.5" Box Truss - Silver



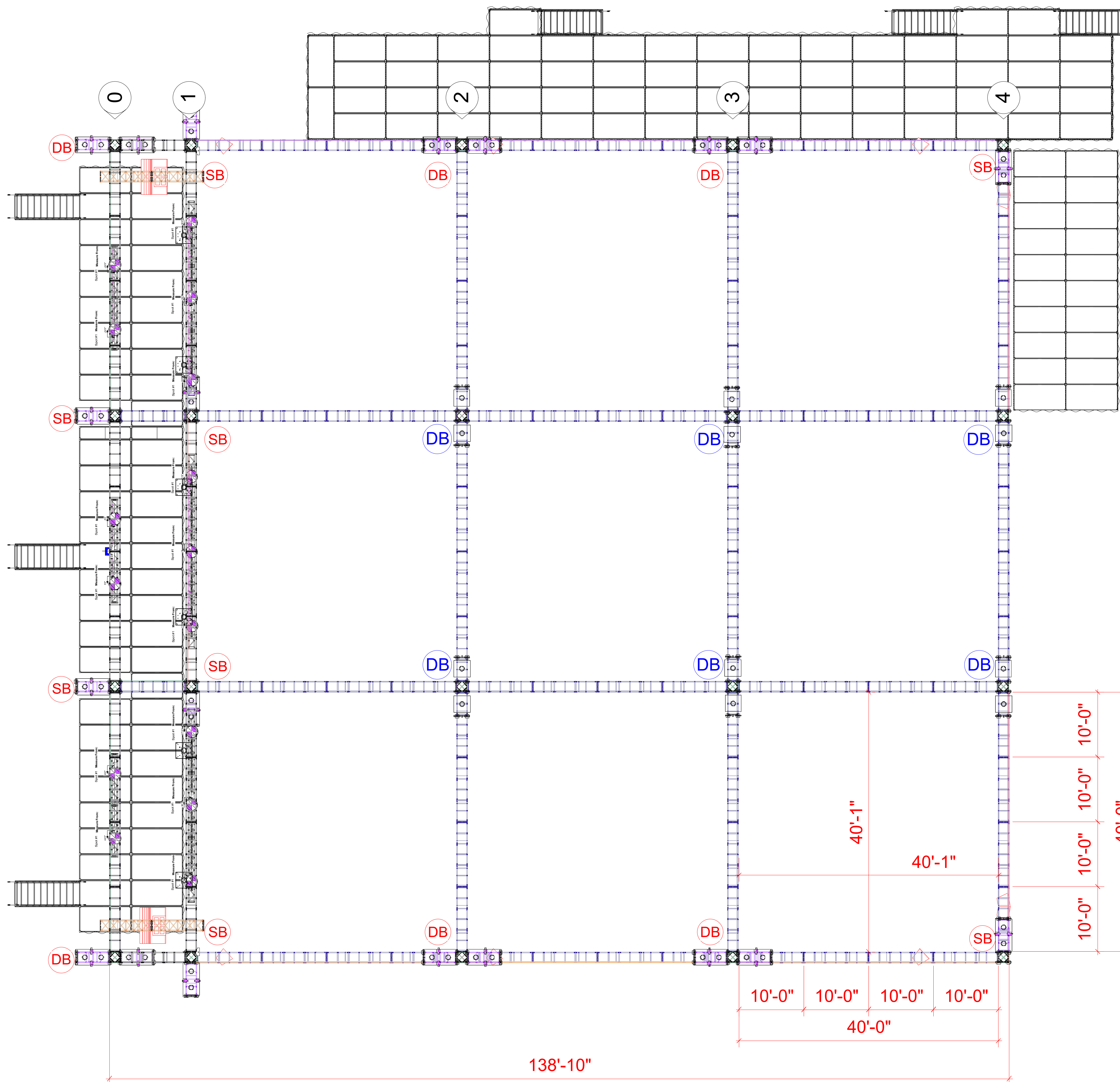
10' - 20.5" x 20.5" Box Truss - Black



20.5" x 20.5" 5-Way Box Truss



20.5" x 20.5" 6-Way Corner



138'-10"

10'-0" 10'-0" 10'-0" 10'-0"
40'-0"

40'-1"

40'-1"

10'-0" 10'-0" 10'-0" 10'-0"

NOTES:

EDC Stage 7 - Quantum Valley
Insomniac
Las Vegas, NV

REVISIONS:	XXXXX
XXXXX	XXXXX
XXXXX	XXXXX
XXXXX	XXXXX

JOB NUMBER:
XX-XXX

INSTALL DATE:
5/8/18

DRAWING DESCRIPTION:
Front View

FILE NAME:
EDCLV18_St7_Plot.vwx

CREATED:
3/4/18

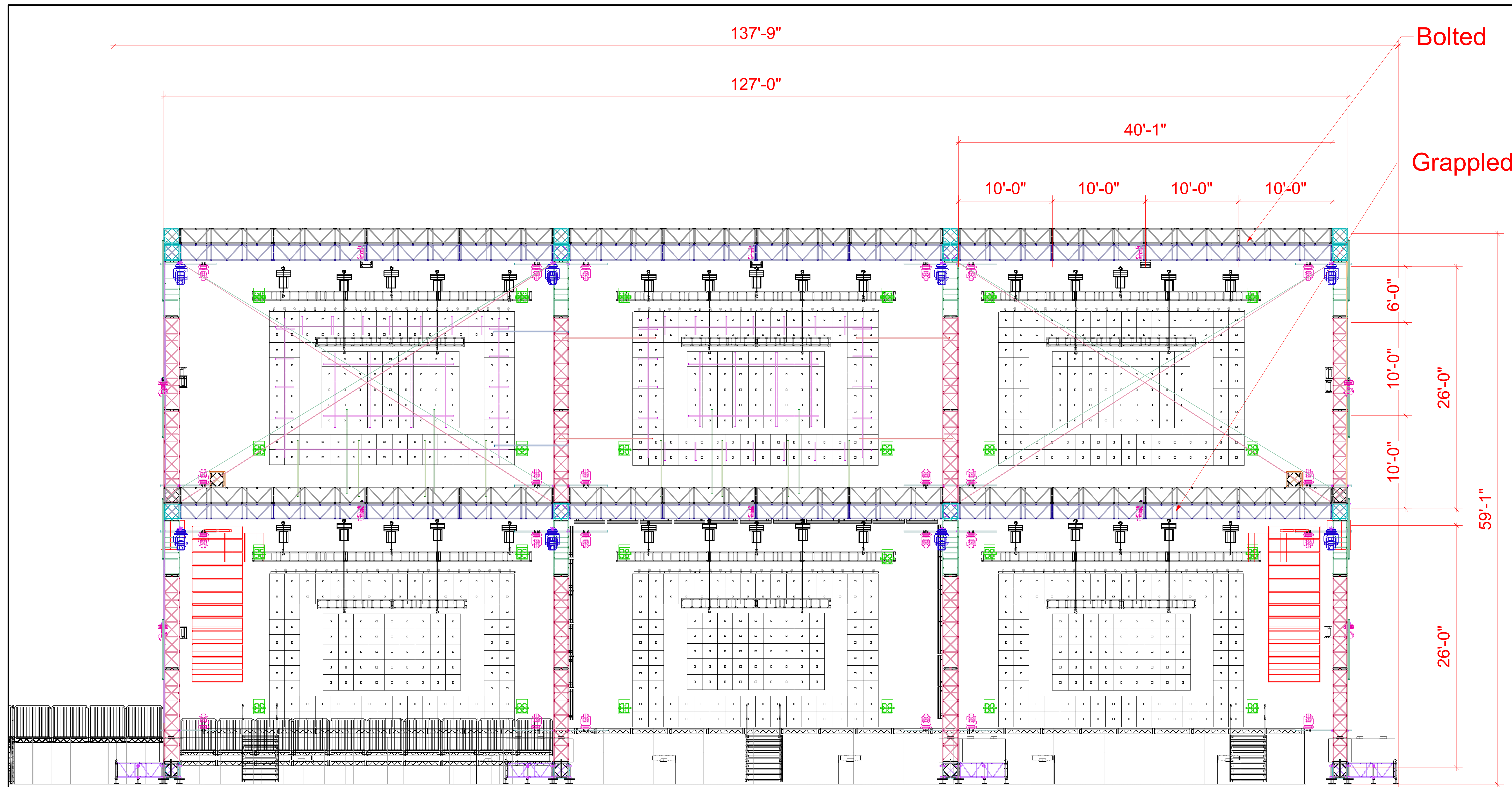
LAST REVISION:
4/26/18

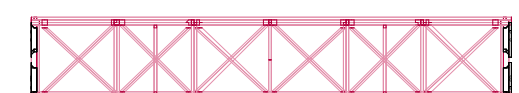
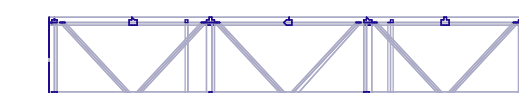
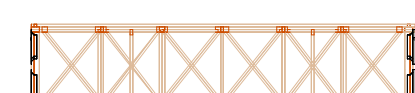
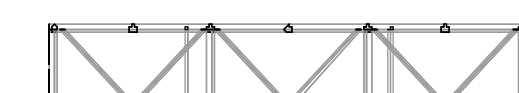
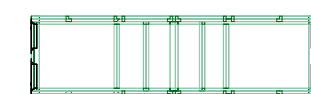

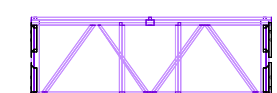
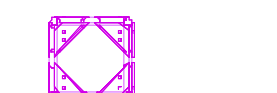
SCALE:
FITTED PDF'S & FAXES
ARE NOT TO THIS SCALE
(PLEASE USE GRAPHIC
SCALE)

SHEET:
4/18

SHEET SIZE:
24" x 36" (D SIZE)

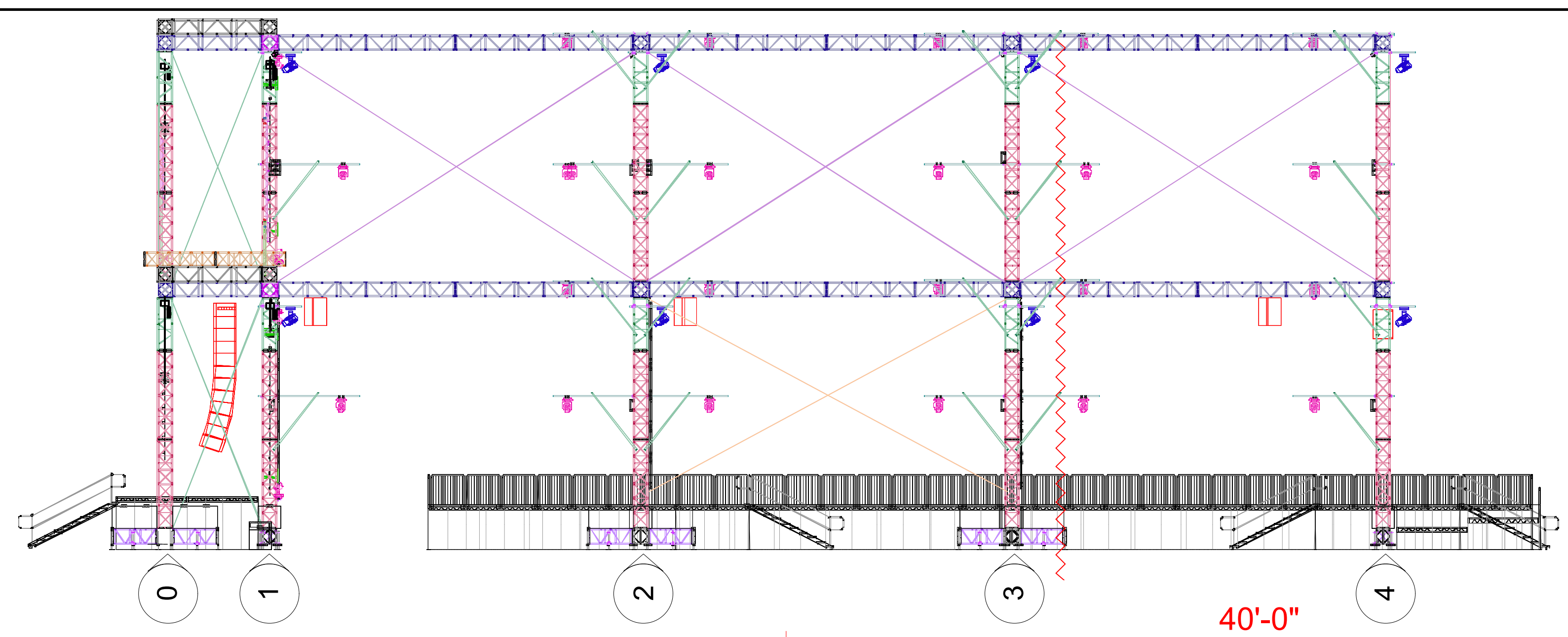
CREATED BY:
Kelsey McGill



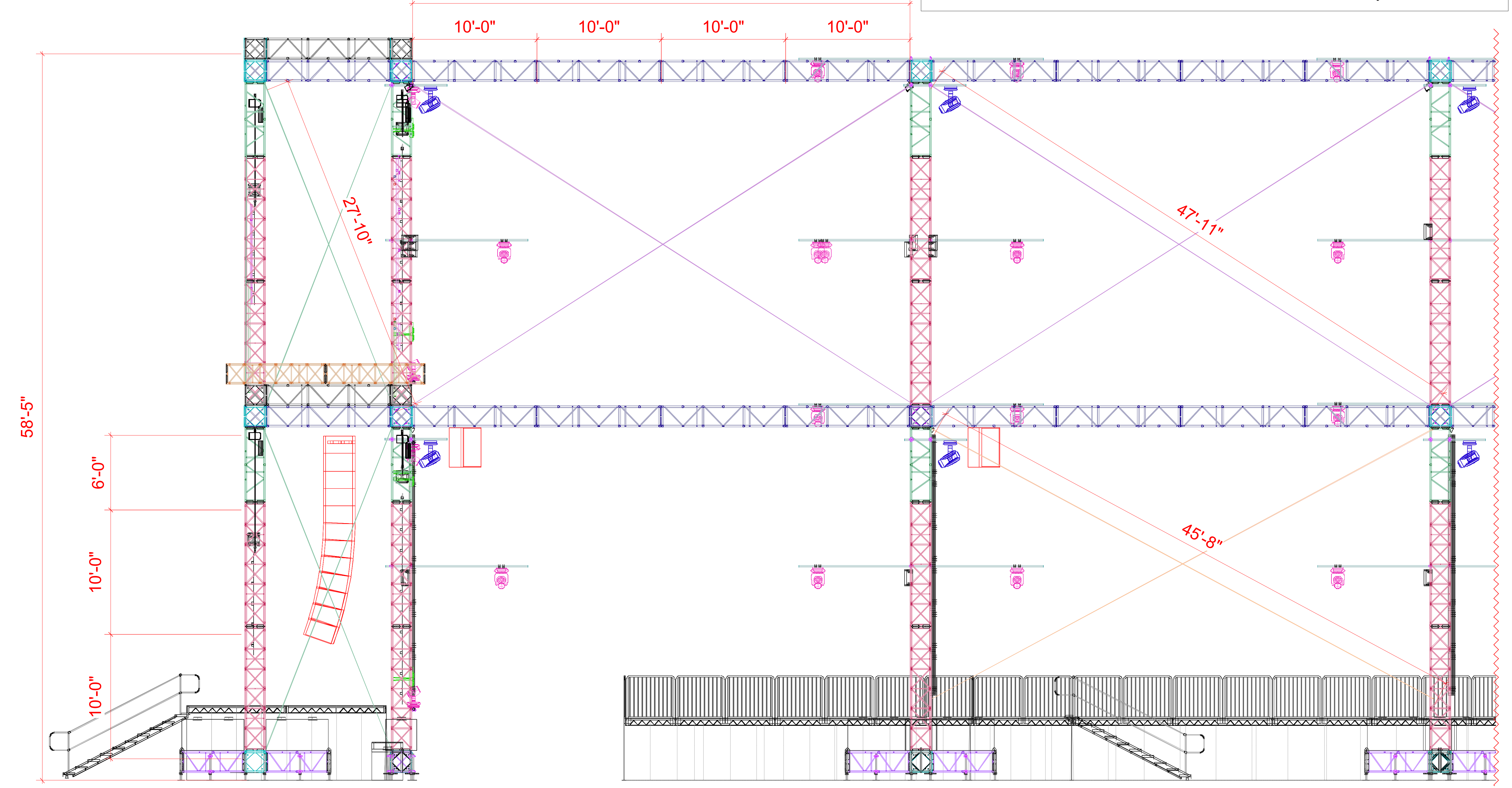
	10' - 20.5" x 20.5" Tower Truss		10' - 20.5" x 20.5" Box Truss - Silver
	8' - 20.5" x 20.5" Tower Truss		10' - 20.5" x 20.5" Box Truss - Black
	6' - 20.5" x 20.5" Tower Truss		20.5" x 20.5" 5-Way Box Truss
	5' - 20.5" x 20.5" Tower Truss		20.5" x 20.5" 6-Way Corner

NOTES:

EDC Stage 7 - Quantum Valley
Insomniac
Las Vegas, NV



	10' - 20.5" x 20.5" Tower Truss		10' - 20.5" x 20.5" Box Truss - Silver
	8' - 20.5" x 20.5" Tower Truss		10' - 20.5" x 20.5" Box Truss - Black
	6' - 20.5" x 20.5" Tower Truss		20.5" x 20.5" 5-Way Box Truss
	5' - 20.5" x 20.5" Tower Truss		20.5" x 20.5" 6-Way Corner



REVISIONS:	XXXXX
XXXXX	XXXXX
XXXXX	XXXXX
XXXXX	XXXXX

JOB NUMBER:
XX-XXX

INSTALL DATE:
5/8/18

DRAWING DESCRIPTION:
Side View

FILE NAME:
EDCLV18_St7_Plot.vwx

CREATED:
3/4/18

LAST REVISION:
4/26/18

SCALE:
FITTED .PDF'S & FAXES
ARE NOT TO THIS SCALE
(PLEASE USE GRAPHIC
SCALE)

STAMP:

SHEET:
5/18

SHEET SIZE:
24" x 36" (D SIZE)

CREATED BY:
Kelsey McGill

NOTES:

EDC Stage 7 - Quantum Valley
Insomniac
Las Vegas, NV

REVISIONS:	XXXXX
XXXXX	XXXXX
XXXXX	XXXXX
XXXXX	XXXXX

JOB NUMBER:

XX-XXX

INSTALL DATE:

5/8/18

DRAWING DESCRIPTION:

Ballast Placement

FILE NAME:

EDCLV18_St7_Plot.vwx

CREATED:

3/4/18

LAST REVISION:

4/26/18

SCALE:

FITTED PDF'S & FAXES
ARE NOT TO THIS SCALE
(PLEASE USE GRAPHIC
SCALE)

STAMP:

SHEET:

6/18

SHEET SIZE:

24" x 36" (D SIZE)

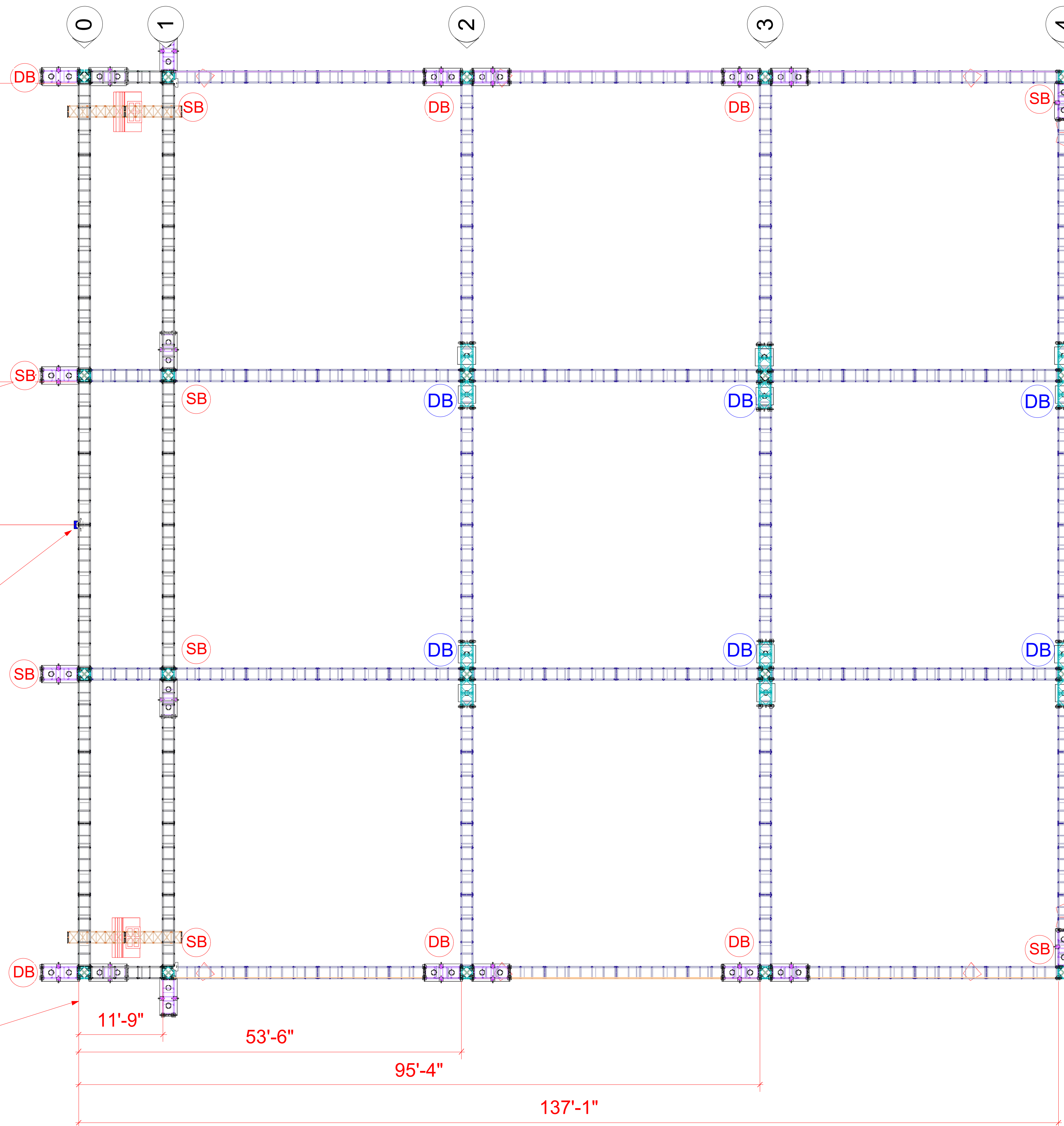
CREATED BY:

Kelsey McGill

Full Lego Double Ballast (DB)

Full Lego Single Ballast (SB)

1/2 Lego Double Ballast (DB)



Measured from Spot #1 to Onstage Edge of Leg

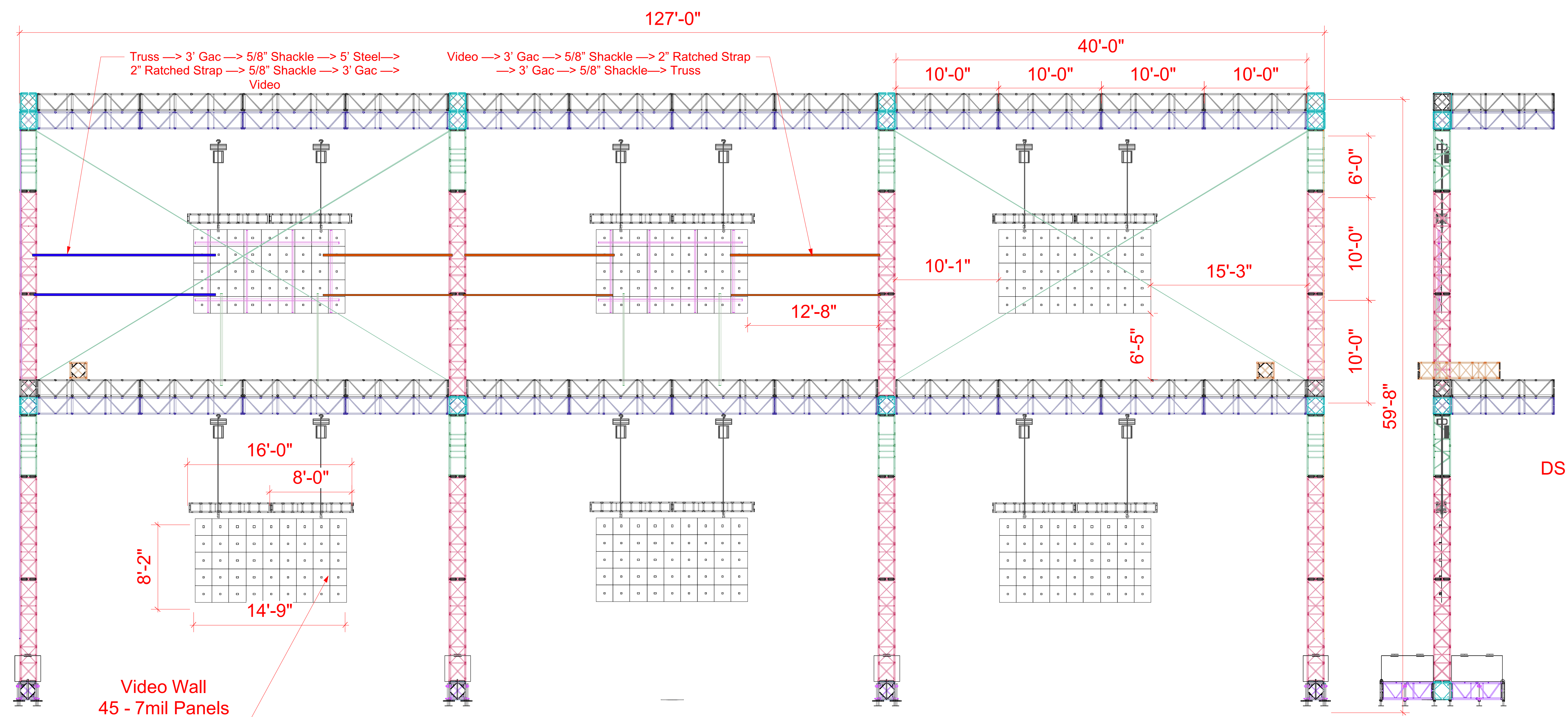
Origin Point (Spot #1)

Splits Truss - CC
US Edge of Truss

Measured from Spot #1 to US Edge of Leg

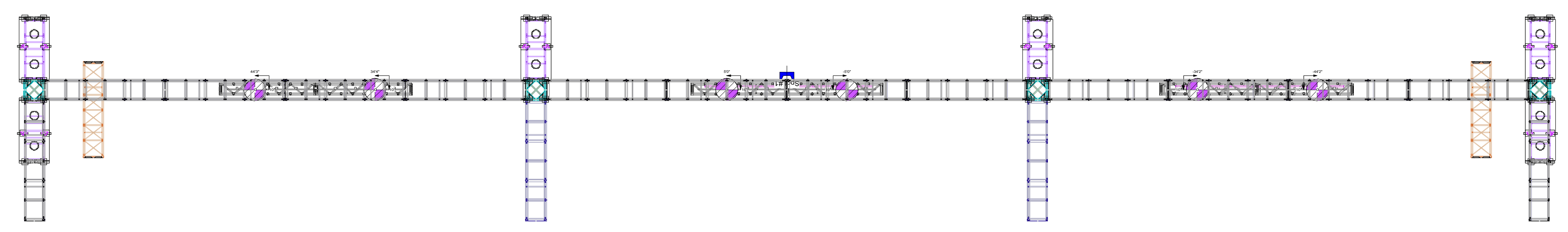
NOTES:

EDC Stage 7 - Quantum Valley
Insomniac
Las Vegas, NV



1 Front View - Sec 0
Scale: 3/16" = 1'-0"

2 Side View - Right
Scale: 3/16" = 1'-0"



	10' - 20.5" x 20.5" Tower Truss		10' - 20.5" x 20.5" Box Truss Silver
	8' - 20.5" x 20.5" Tower Truss		10' - 20.5" x 20.5" Box Truss Black
	6' - 20.5" x 20.5" Tower Truss		20.5" x 20.5" 5-Way Box Truss
	5' - 20.5" x 20.5" Tower Truss		20.5" x 20.5" 6-Way Corner

	14' Video Support Pipe
	8' Video Support Pipe
	9' Video Support Pipe

0

REVISIONS:	XXXXX
XXXXX	XXXXX
XXXXX	XXXXX
XXXXX	XXXXX

JOB NUMBER:
XX-XXX

INSTALL DATE:
5/8/18

DRAWING DESCRIPTION:
Section 0 - Rigging

FILE NAME:
EDCLV18_St7_Plot.vwx

CREATED:
3/4/18

LAST REVISION:
4/26/18

SCALE:
"FITTED".PDF'S & FAXES
ARE NOT TO THIS SCALE
(PLEASE USE GRAPHIC
SCALE)

STAMP:

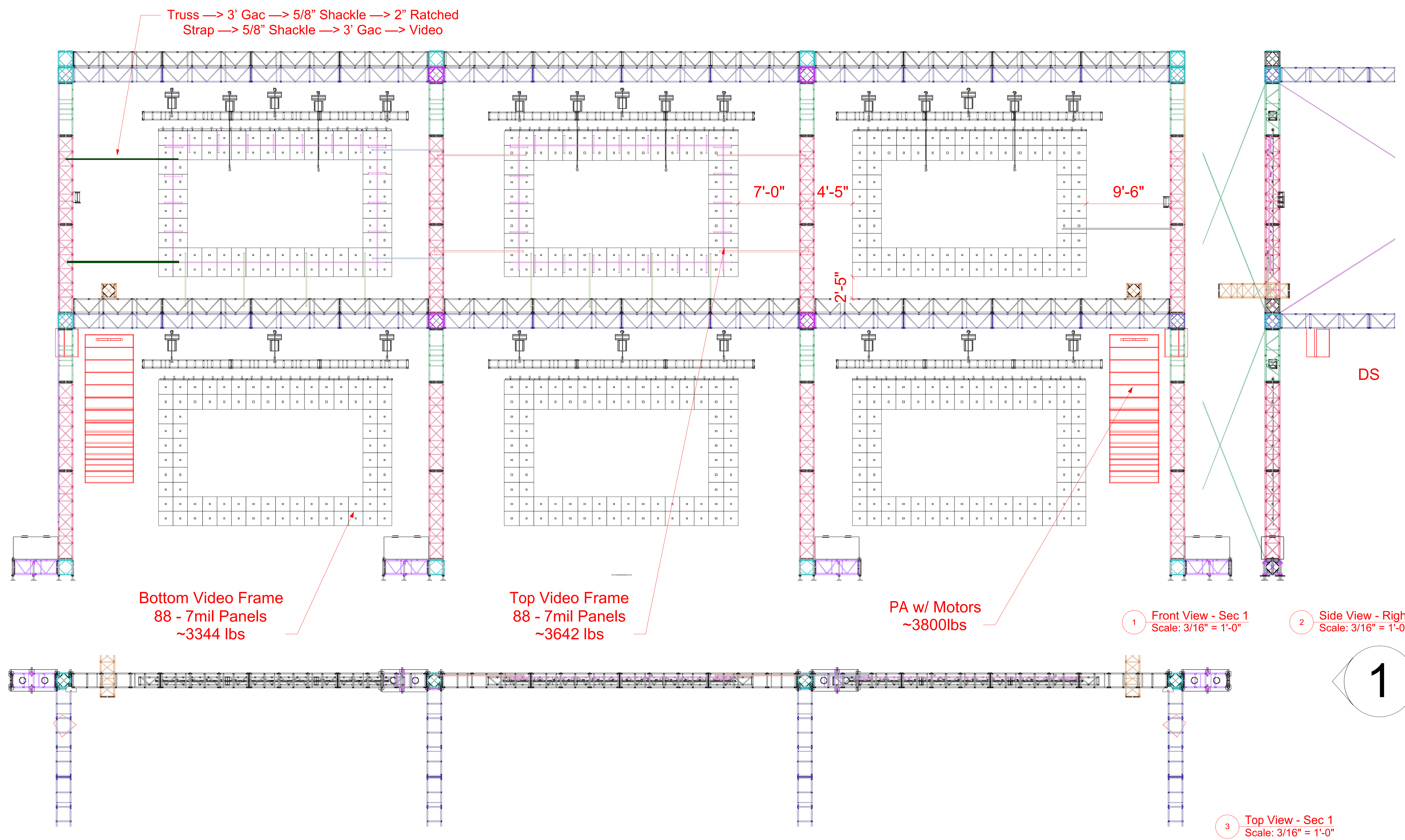
SHEET:
9/18

SHEET SIZE:
24" x 36" (D SIZE)

CREATED BY:
Kelsey McGill

NOTES:

EDC Stage 7 - Quantum Valley
Insomniac
Las Vegas, NV



	10' - 20.5" x 20.5" Tower Truss		10' - 20.5" x 20.5" Box Truss Silver
	8' - 20.5" x 20.5" Tower Truss		10' - 20.5" x 20.5" Box Truss Black
	6' - 20.5" x 20.5" Tower Truss		20.5" x 20.5" 5-Way Box Truss
	5' - 20.5" x 20.5" Tower Truss		20.5" x 20.5" 6-Way Corner

	25' Video Support Pipe
	15' Video Support Pipe
	2' Video Support Pipe
	10' Video Support Pipe
	8' Video Support Pipe
	6' Video Support Pipe

REVISIONS:	XXXXX
XXXXX	XXXXX
XXXXX	XXXXX
XXXXX	XXXXX

JOB NUMBER:
XX-XXX

INSTALL DATE:
5/8/18

DRAWING DESCRIPTION:
Section 1 - Rigging

FILE NAME:
EDCLV18_St7_Plot.vwx

CREATED:
3/4/18

LAST REVISION:
4/26/18

SCALE:
"FITTED" .PDF'S & FAXES
ARE NOT TO THIS SCALE
(PLEASE USE GRAPHIC
SCALE)

STAMP:

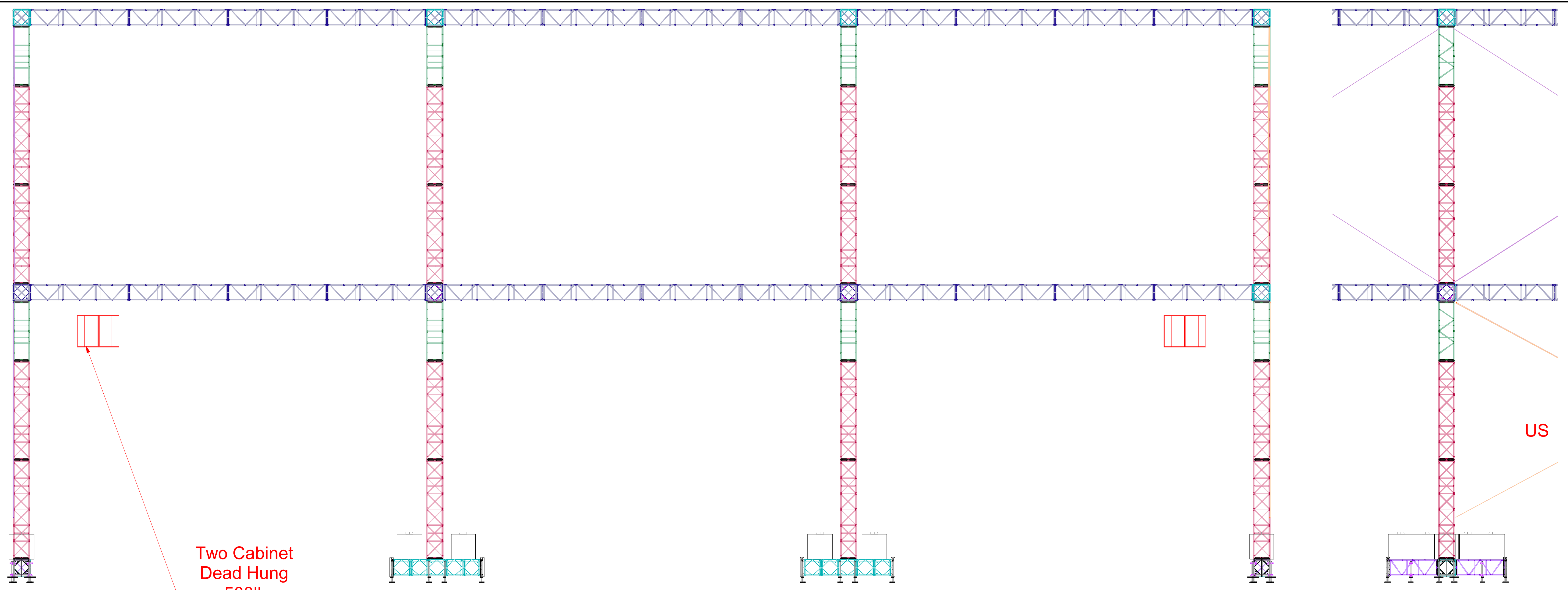
SHEET:
10/18

SHEET SIZE:
24" x 36" (D SIZE)

CREATED BY:
Kelsey McGill

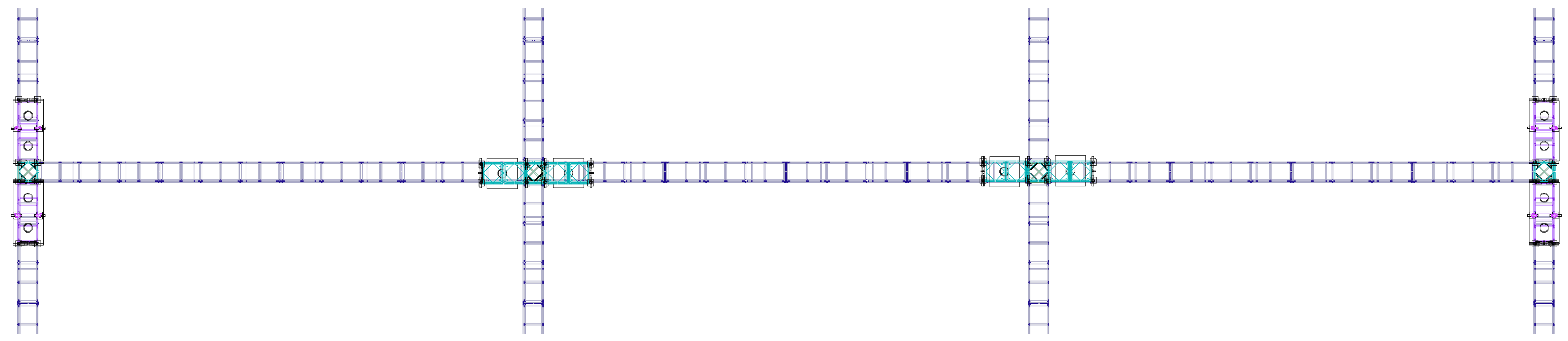
NOTES:

EDC Stage 7 - Quantum Valley
Insomniac
Las Vegas, NV



1 Front View - Sec 2 & 3
Scale: 3/16" = 1'-0"

2 Side View - Right
Scale: 3/16" = 1'-0"



3 Top View - Sec 2 & 3
Scale: 3/16" = 1'-0"

2
3

10' - 20.5" x 20.5" Tower Truss	10' - 20.5" x 20.5" Box Truss Silver
8' - 20.5" x 20.5" Tower Truss	10' - 20.5" x 20.5" Box Truss Black
6' - 20.5" x 20.5" Tower Truss	20.5" x 20.5" 5-Way Box Truss
5' - 20.5" x 20.5" Tower Truss	20.5" x 20.5" 6-Way Corner

REVISIONS:	XXXXX
XXXXX	XXXXX
XXXXX	XXXXX
XXXXX	XXXXX

JOB NUMBER:
XX-XXX

INSTALL DATE:
5/8/18

DRAWING DESCRIPTION:
Section 2/3 - Rigging

FILE NAME:
EDCLV18_St7_Plot.vwx

CREATED:
3/4/18

LAST REVISION:
4/26/18

SCALE:
"FITTED" .PDF'S & FAXES
ARE NOT TO THIS SCALE
(PLEASE USE GRAPHIC
SCALE)

STAMP:

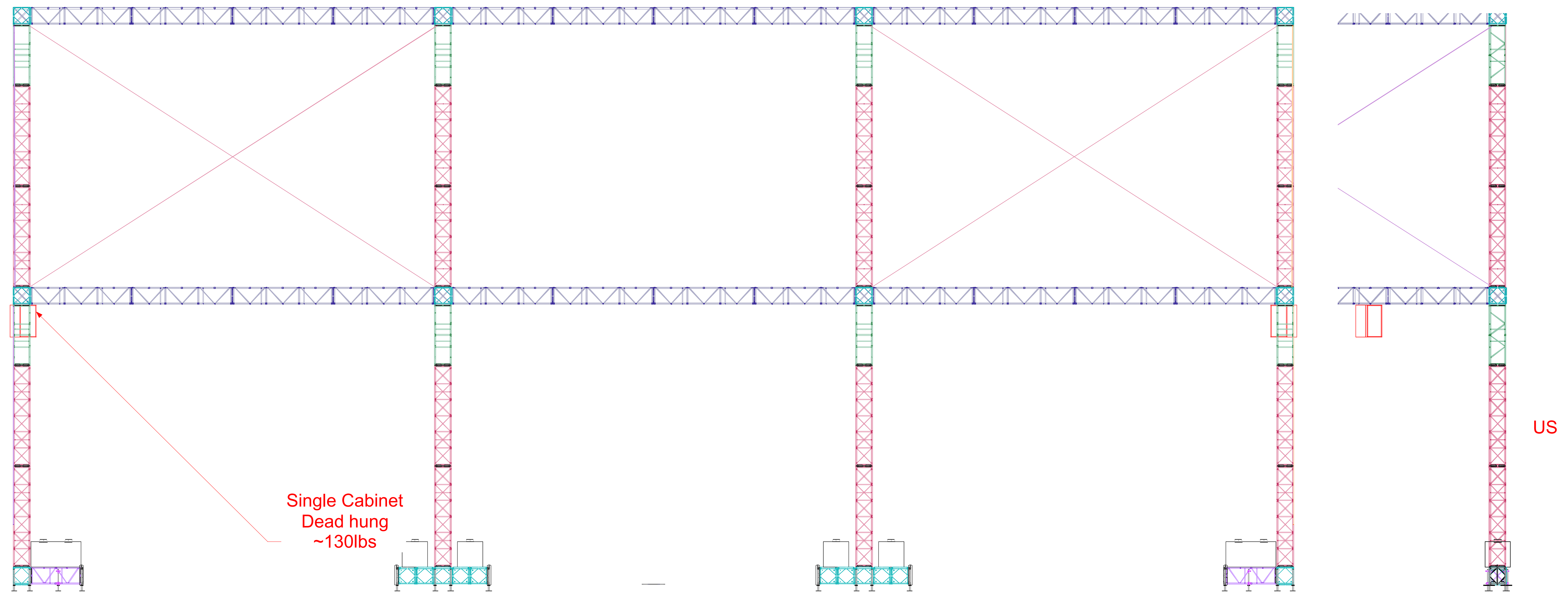
SHEET:
11/18

SHEET SIZE:
24" x 36" (D SIZE)

CREATED BY:
Kelsey McGill

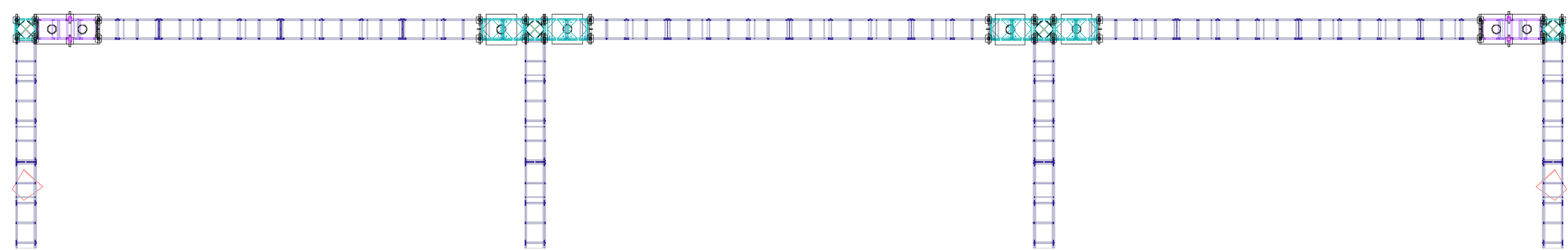
NOTES:

EDC Stage 7 - Quantum Valley
Insomniac
Las Vegas, NV



1 Front View - Sec 4
Scale: 3/16" = 1'-0"

2 Side View - Right
Scale: 3/16" = 1'-0"



3 Top View - Sec 4
Scale: 3/16" = 1'-0"

4

	10' - 20.5" x 20.5" Tower Truss		10' - 20.5" x 20.5" Box Truss Silver
	8' - 20.5" x 20.5" Tower Truss		10' - 20.5" x 20.5" Box Truss Black
	6' - 20.5" x 20.5" Tower Truss		20.5" x 20.5" 5-Way Box Truss
	5' - 20.5" x 20.5" Tower Truss		20.5" x 20.5" 6-Way Corner

REVISIONS:	XXXXX
XXXXX	XXXXX
XXXXX	XXXXX
XXXXX	XXXXX

JOB NUMBER:
XX-XXX

INSTALL DATE:
5/8/18

DRAWING DESCRIPTION:
Section 4 - Rigging

FILE NAME:
EDCLV18_St7_Plot.vwx

CREATED:
3/4/18

LAST REVISION:
4/26/18

SCALE:
"FITTED" .PDF'S & FAXES
ARE NOT TO THIS SCALE
(PLEASE USE GRAPHIC
SCALE)

STAMP:

SHEET:
12/18

SHEET SIZE:
24" x 36" (D SIZE)

CREATED BY:
Kelsey McGill

NOTES:

EDC Stage 7 - Quantum Valley
Insomniac
Las Vegas, NV

REVISIONS:	XXXXX
XXXXX	XXXXX
XXXXX	XXXXX
XXXXX	XXXXX

JOB NUMBER:
XX-XXX

INSTALL DATE:
5/8/18

DRAWING DESCRIPTION:
Ballast Detail - Full Lego

FILE NAME:
EDCLV18_St7_Plot.vwx

CREATED:
3/4/18

LAST REVISION:
4/26/18

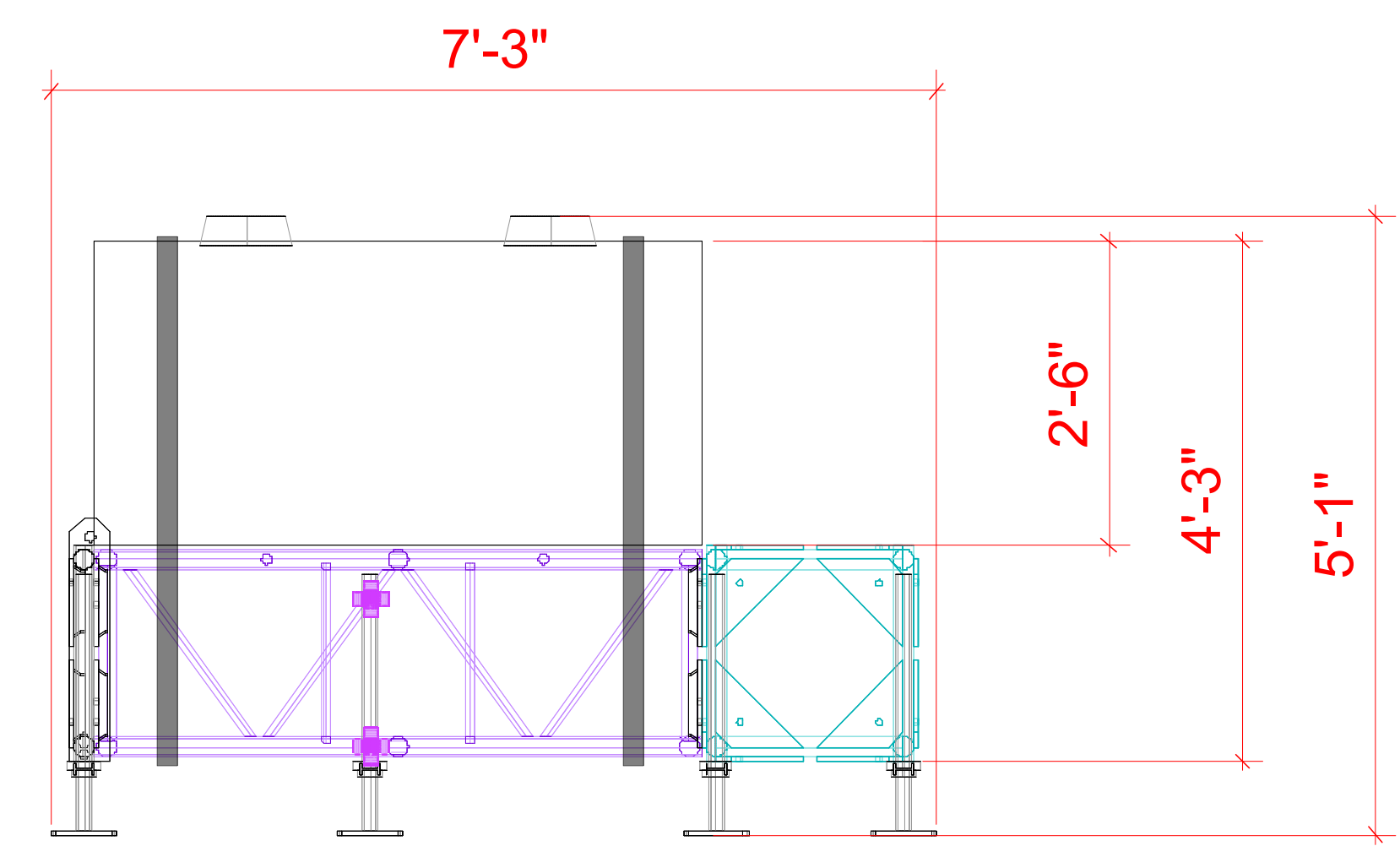
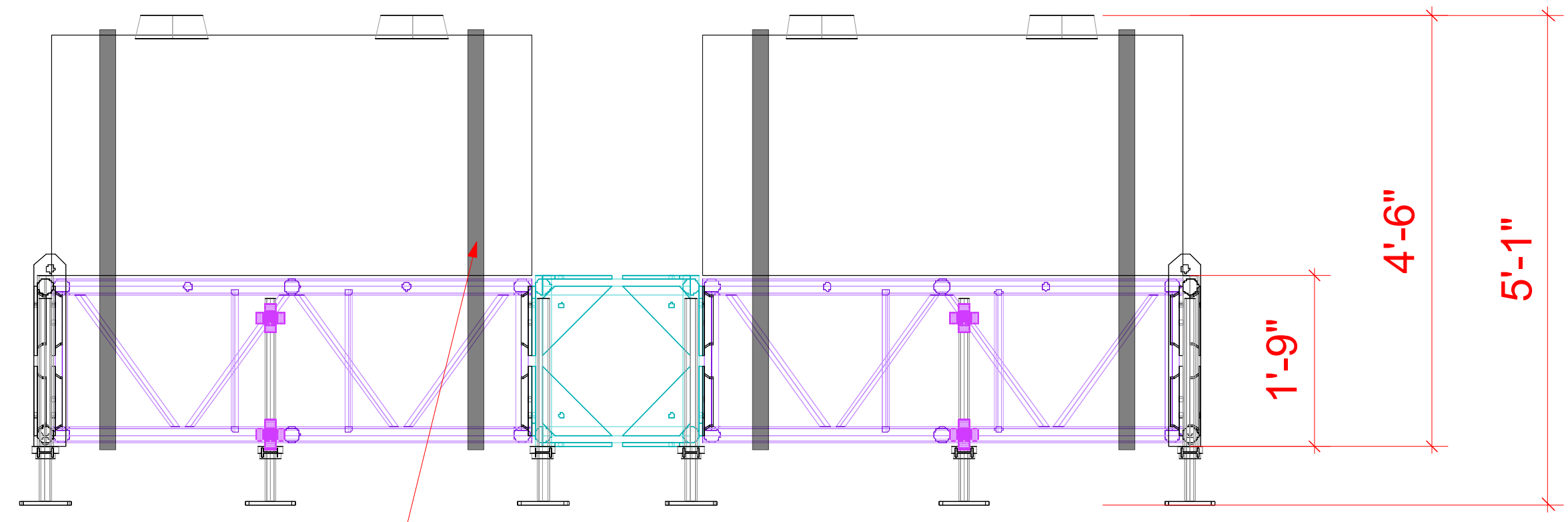
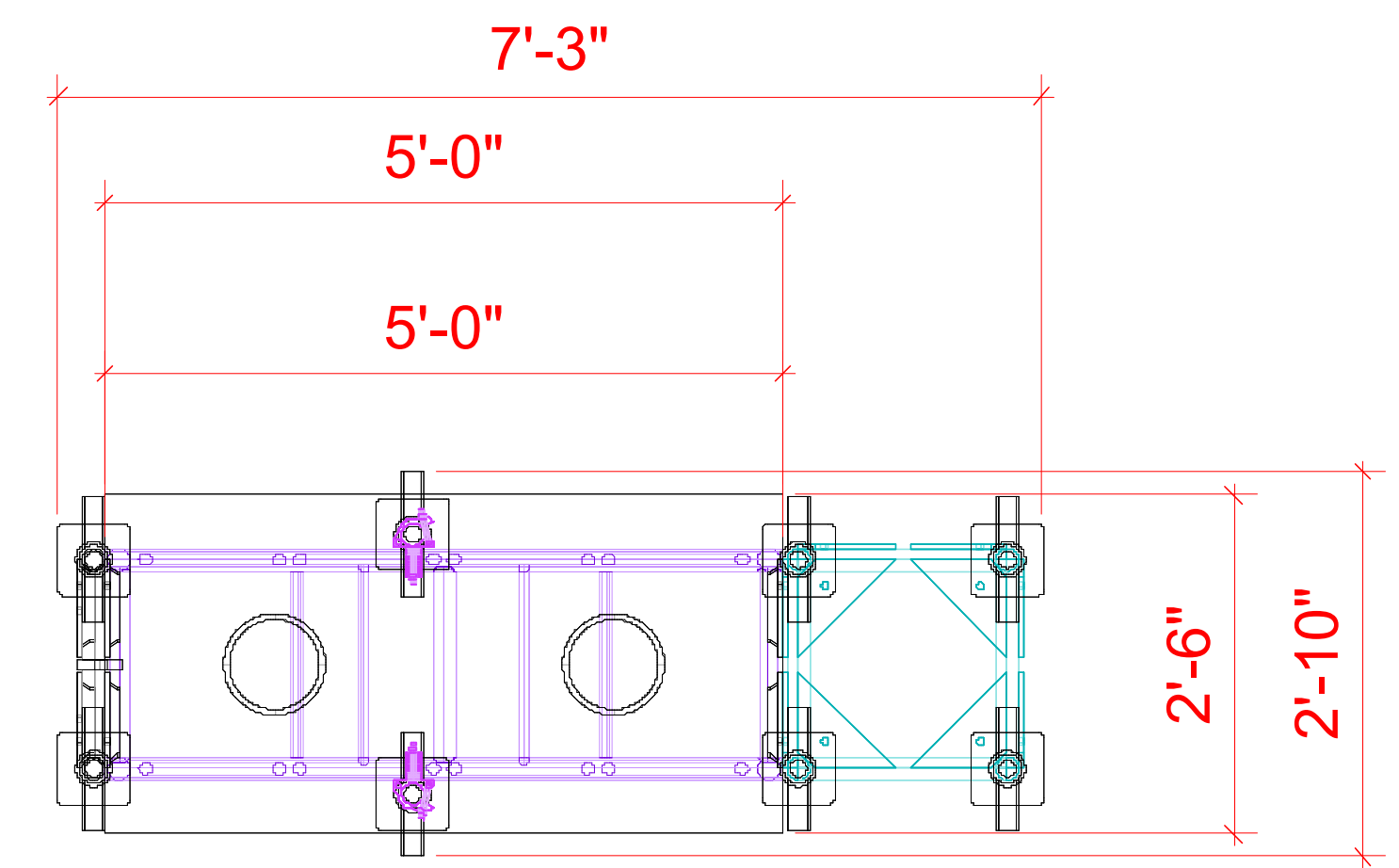
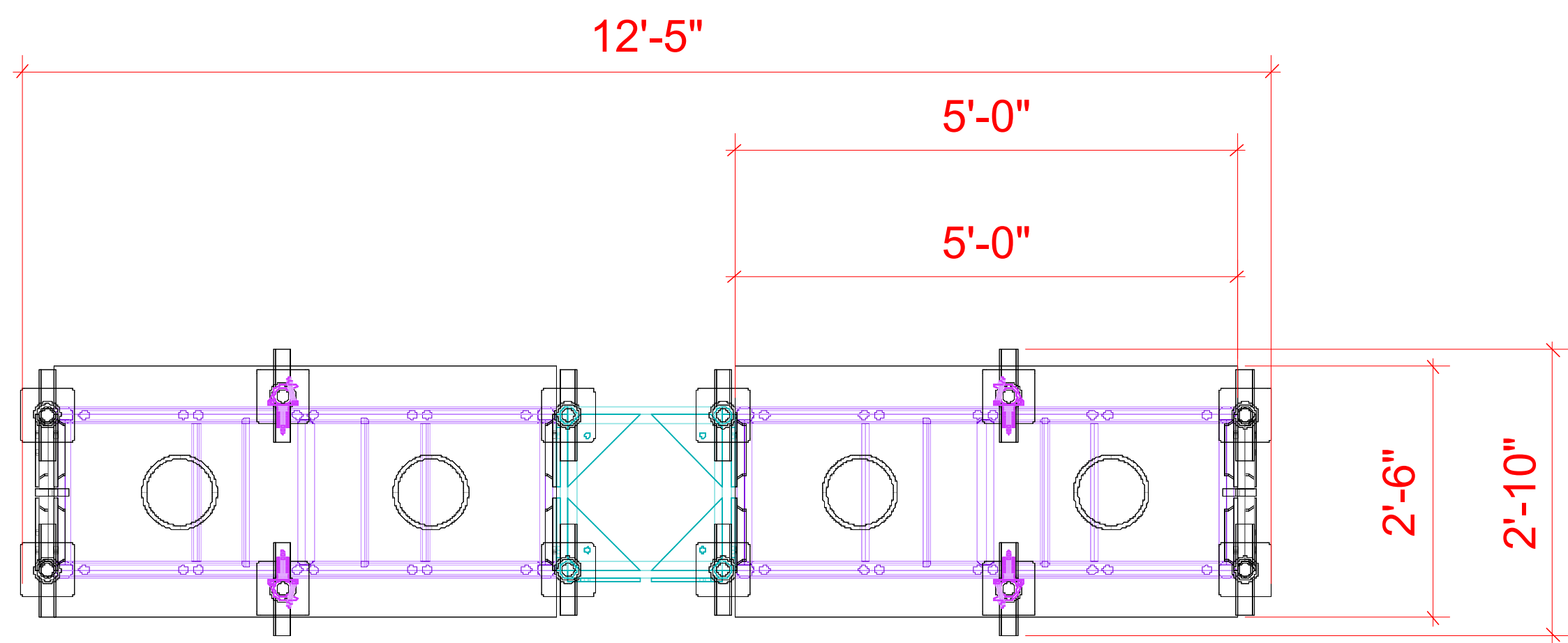
SCALE:
"FITTED" PDF'S & FAXES
ARE NOT TO THIS SCALE
(PLEASE USE GRAPHIC
SCALE)

STAMP:

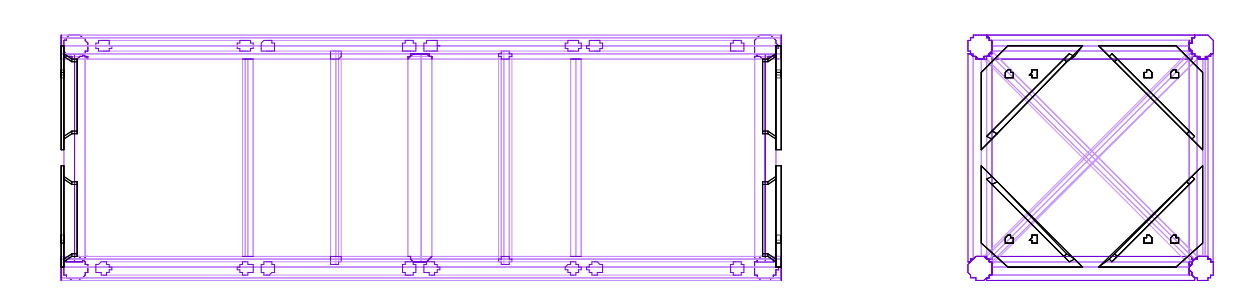
SHEET:
7/18

SHEET SIZE:
24" x 36" (D SIZE)

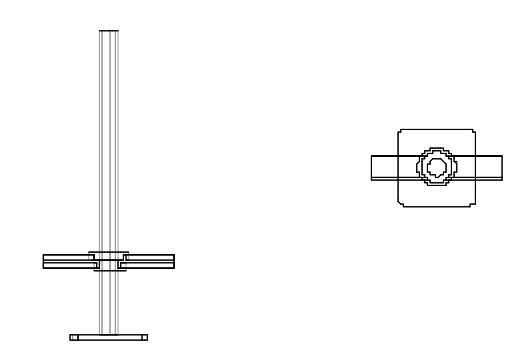
CREATED BY:
Kelsey McGill



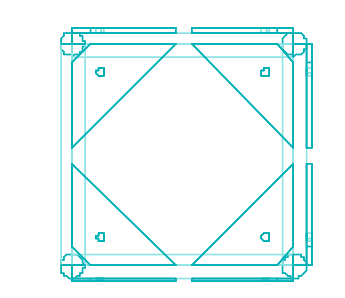
Lego attached to
truss with 2 - 2"
ratchet straps



5' - 20.5" x 20.5" Tower Truss



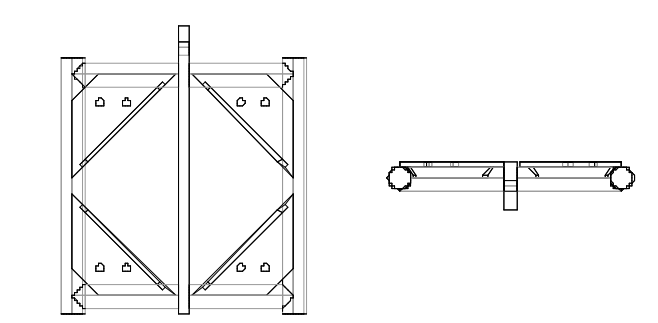
Screw Jack



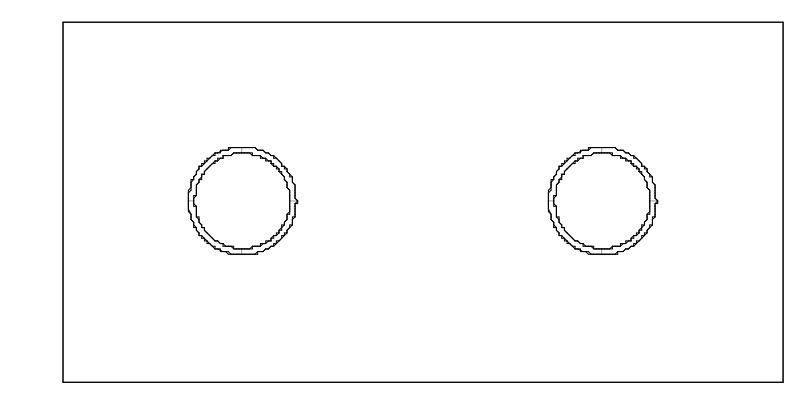
20.5" x 20.5" 5-Way Box Truss



Cheseboro

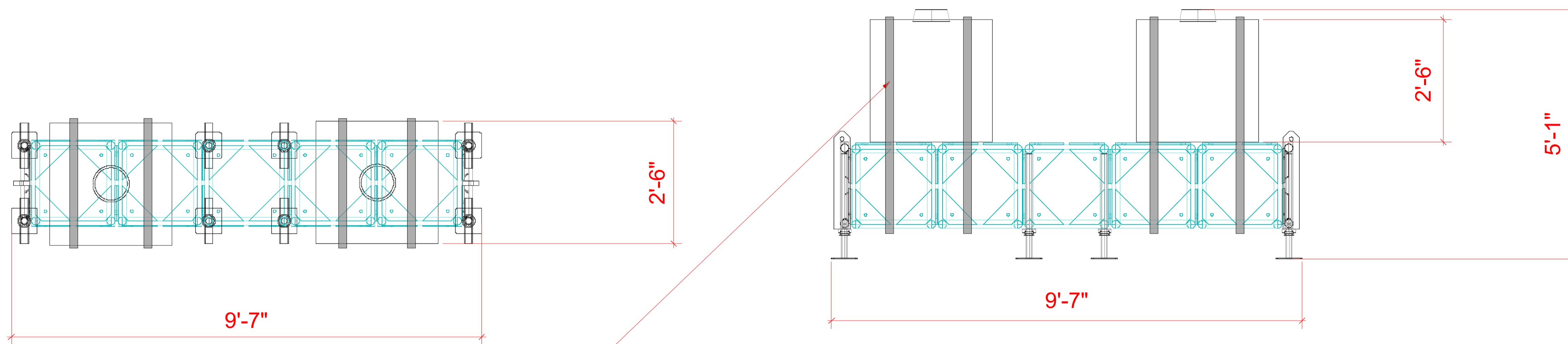


20.5" Truss End Plate



Double Lego 4400lbs

1/2 Lego Double Ballast 6 Total



Lego attached to truss with 2 - 2" ratchet straps

<p>20.5" x 20.5" 5-Way Box Truss</p>	<p>Screw Jack</p>
<p>20.5" Truss End Plate</p>	<p>1/2 Lego 2200lbs</p>

NOTES:

EDC Stage 7 - Quantum Valley
Insomniac
Las Vegas, NV

REVISIONS:	XXXXX
XXXXX	XXXXX
XXXXX	XXXXX
XXXXX	XXXXX

JOB NUMBER:
XX-XXX

INSTALL DATE:
5/8/18

DRAWING DESCRIPTION:
Ballast Detail - 1/2 Lego

FILE NAME:
EDCLV18_St7_Plot.vwx

CREATED:
3/4/18

LAST REVISION:
4/26/18

SCALE:
"FITTED" .PDF'S & FAXES
ARE NOT TO THIS SCALE
(PLEASE USE GRAPHIC
SCALE)

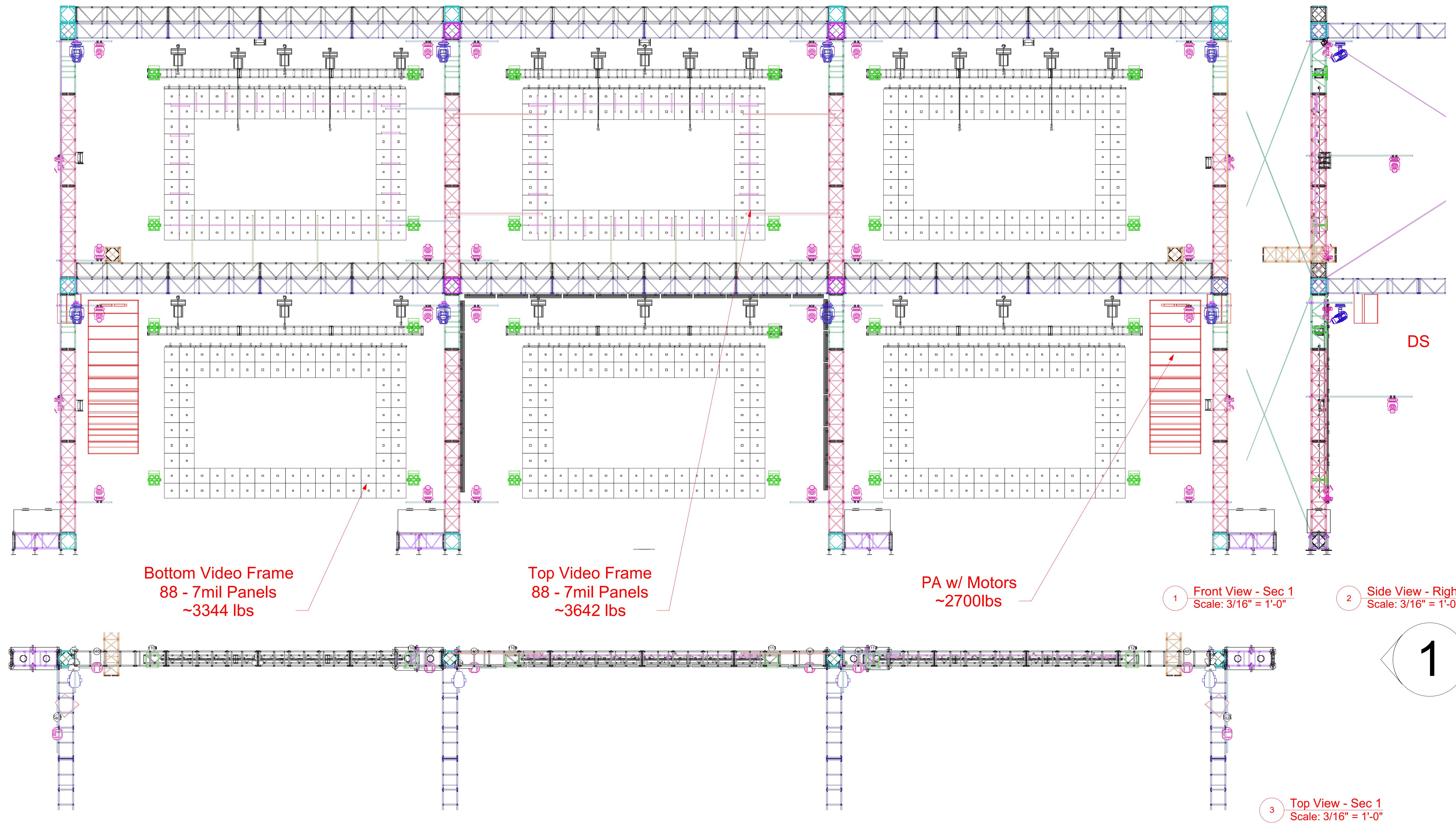
SHEET:
8/18

SHEET SIZE:
24" x 36" (D SIZE)

CREATED BY:
Kelsey McGill

NOTES:

EDC Stage 7 - Quantum Valley
Insomniac
Las Vegas, NV

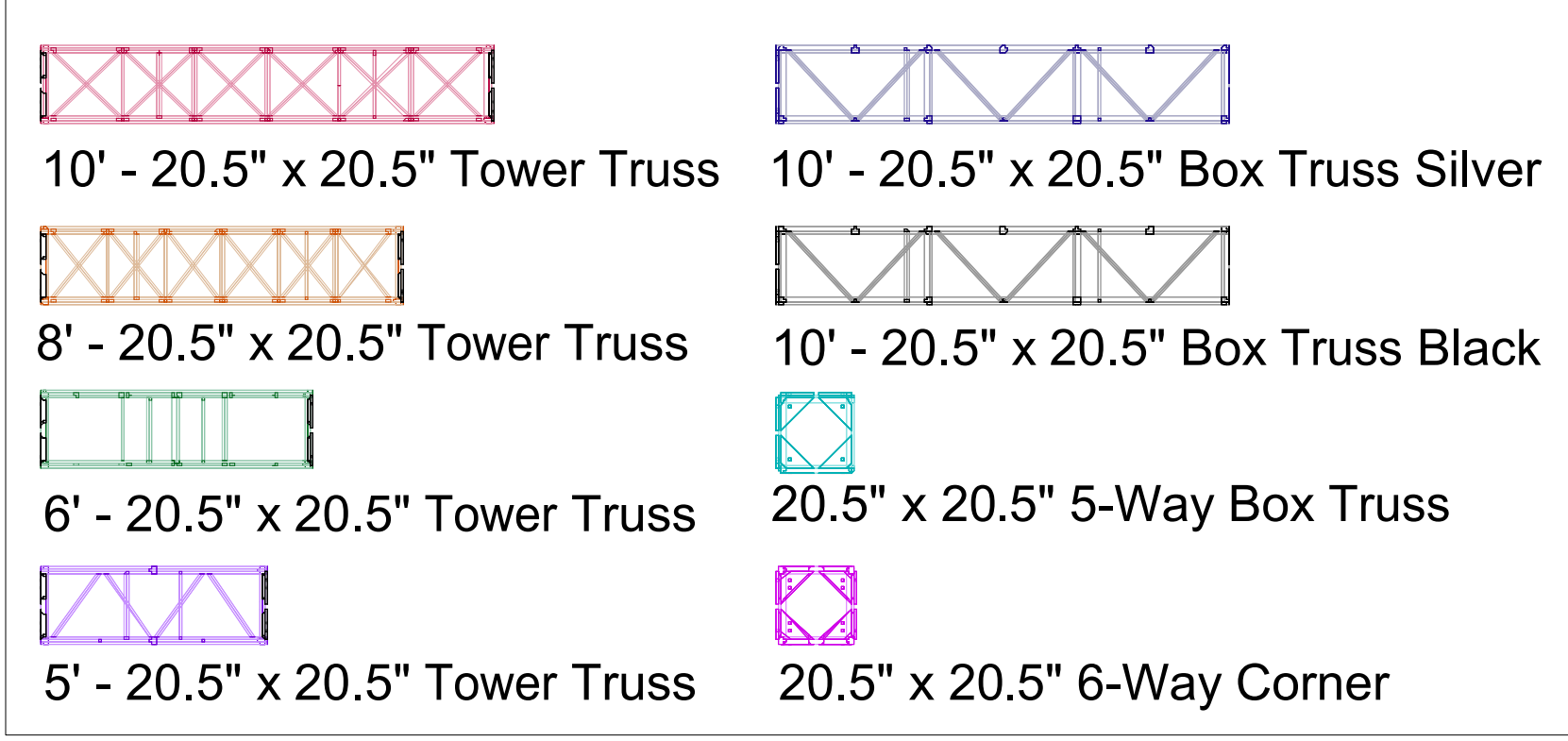


1 Front View - Sec 1
Scale: 3/16" = 1'-0"

2 Side View - Right
Scale: 3/16" = 1'-0"

3 Top View - Sec 1
Scale: 3/16" = 1'-0"

1



REVISIONS:	XXXXX
XXXXX	XXXXX
XXXXX	XXXXX
XXXXX	XXXXX

JOB NUMBER:
XX-XXX

INSTALL DATE:
5/8/18

DRAWING DESCRIPTION:
Section 1 - Lighting

FILE NAME:
EDCLV18_St7_Plot.vwx

CREATED:
3/4/18

LAST REVISION:
4/26/18

SCALE:
"FITTED" .PDF'S & FAXES
ARE NOT TO THIS SCALE
(PLEASE USE GRAPHIC
SCALE)

STAMP:

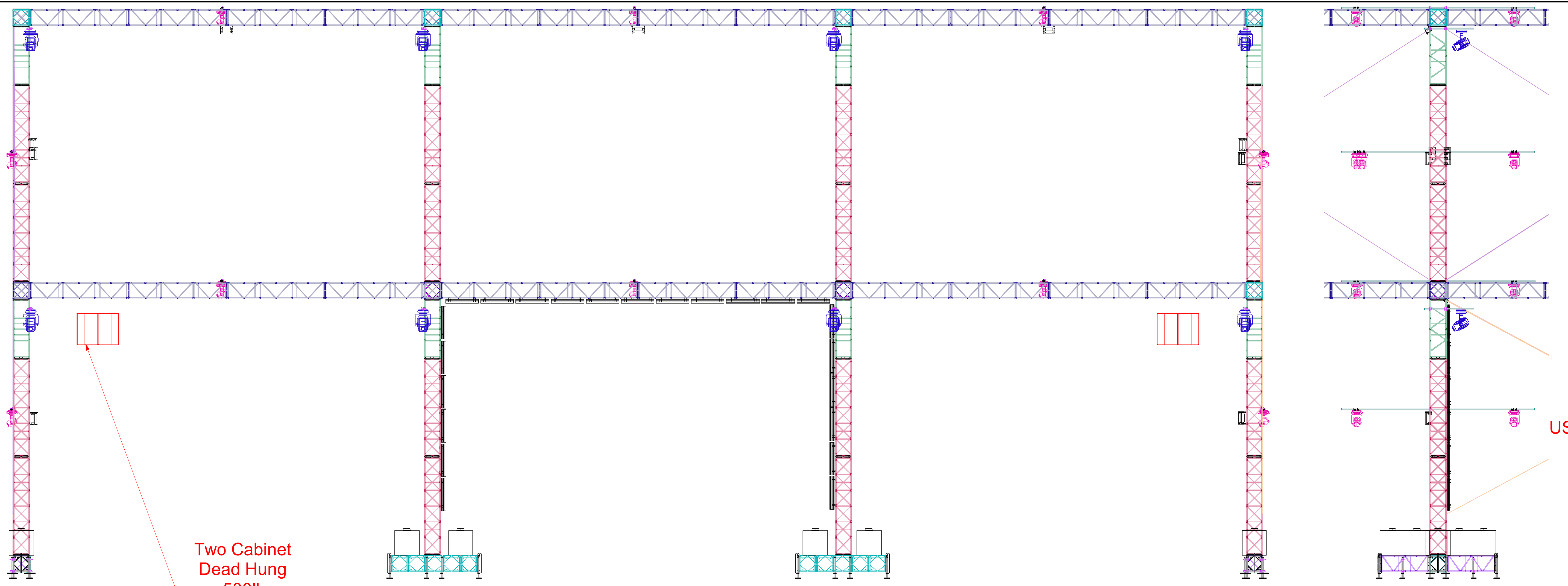
SHEET:
14/18

SHEET SIZE:
24" x 36" (D SIZE)

CREATED BY:
Kelsey McGill

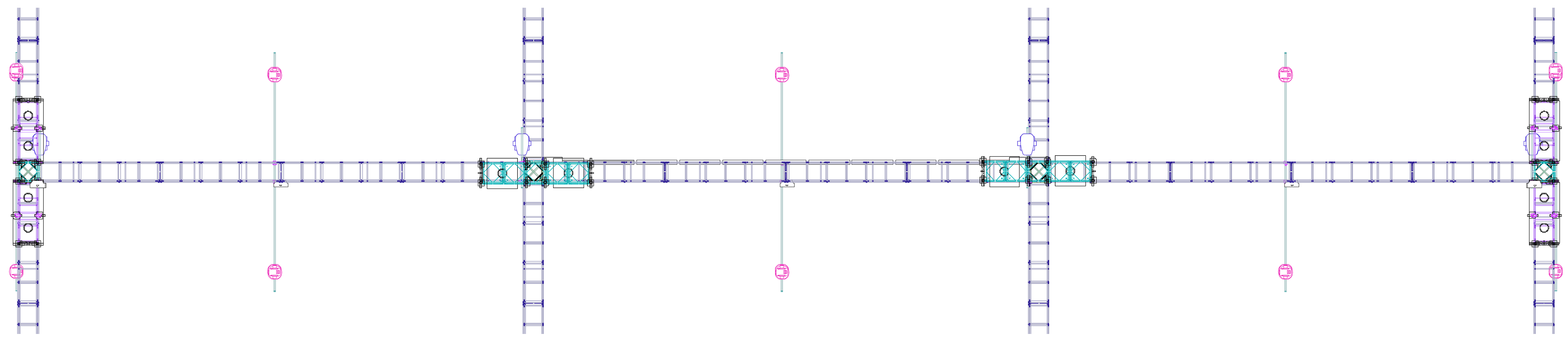
NOTES:

EDC Stage 7 - Quantum Valley
 Insomniac
 Las Vegas, NV



1 Front View - Sec 2 & 3
 Scale: 3/16" = 1'-0"

2 Side View - Right
 Scale: 3/16" = 1'-0"



3 Top View - Sec 2 & 3
 Scale: 3/16" = 1'-0"

2
 3

10' - 20.5" x 20.5" Tower Truss	10' - 20.5" x 20.5" Box Truss Silver
8' - 20.5" x 20.5" Tower Truss	10' - 20.5" x 20.5" Box Truss Black
6' - 20.5" x 20.5" Tower Truss	20.5" x 20.5" 5-Way Box Truss
5' - 20.5" x 20.5" Tower Truss	20.5" x 20.5" 6-Way Corner

REVISIONS:	XXXXX
XXXXX	XXXXX
XXXXX	XXXXX
XXXXX	XXXXX

JOB NUMBER:
 XX-XXX

INSTALL DATE:
 5/8/18

DRAWING DESCRIPTION:
 Section 2/3 - Lighting

FILE NAME:
 EDCLV18_St7_Plot.vwx

CREATED:
 3/4/18

LAST REVISION:
 4/26/18

SCALE:
 FITTED.PDF'S & FAXES
 ARE NOT TO THIS SCALE
 (PLEASE USE GRAPHIC
 SCALE)

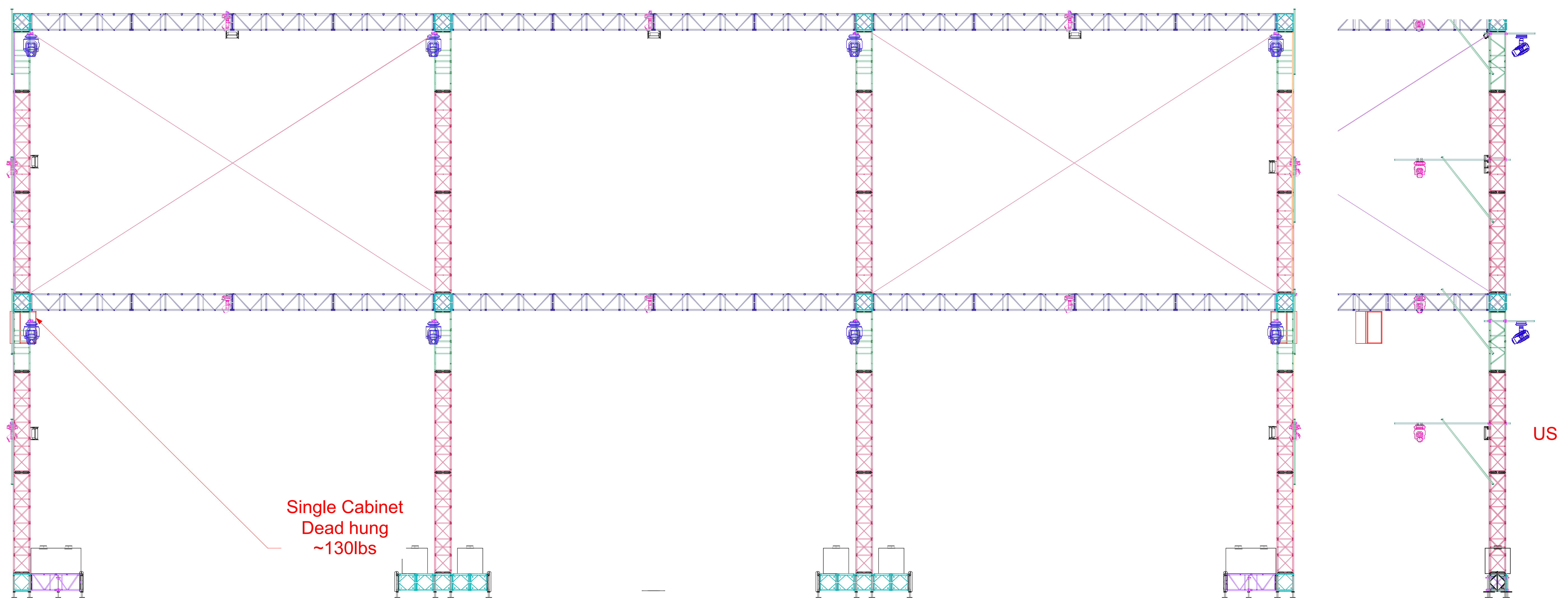
SHEET:
 15/18

SHEET SIZE:
 24" x 36" (D SIZE)

CREATED BY:
 Kelsey McGill

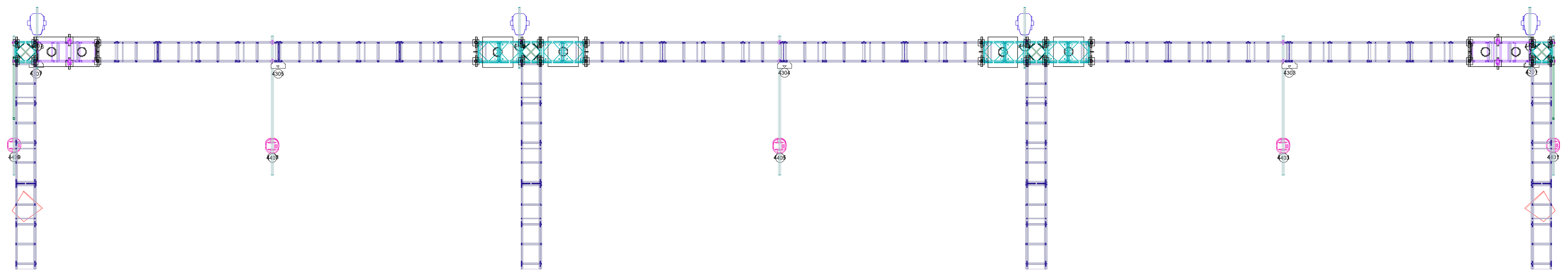
NOTES:

EDC Stage 7 - Quantum Valley
Insomniac
Las Vegas, NV



1 Front View - Sec 4
Scale: 3/16" = 1'-0"

2 Side View - Right
Scale: 3/16" = 1'-0"



3 Top View - Sec 4
Scale: 3/16" = 1'-0"

4

	10' - 20.5" x 20.5" Tower Truss		10' - 20.5" x 20.5" Box Truss Silver
	8' - 20.5" x 20.5" Tower Truss		10' - 20.5" x 20.5" Box Truss Black
	6' - 20.5" x 20.5" Tower Truss		20.5" x 20.5" 5-Way Box Truss
	5' - 20.5" x 20.5" Tower Truss		20.5" x 20.5" 6-Way Corner

REVISIONS:	XXXXX
XXXXX	XXXXX
XXXXX	XXXXX
XXXXX	XXXXX

JOB NUMBER:
XX-XXX

INSTALL DATE:
5/8/18

DRAWING DESCRIPTION:
Section 4 - Lighting

FILE NAME:
EDCLV18_St7_Plot.vwx

CREATED:
3/4/18

LAST REVISION:
4/26/18

SCALE:
"FITTED" .PDF'S & FAXES
ARE NOT TO THIS SCALE
(PLEASE USE GRAPHIC
SCALE)

STAMP:

SHEET:
16/18

SHEET SIZE:
24" x 36" (D SIZE)

CREATED BY:
Kelsey McGill

NOTES:

EDC Stage 7 - Quantum Valley
Insomniac
Las Vegas, NV

REVISIONS:	XXXXX
XXXXX	XXXXX
XXXXX	XXXXX
XXXXX	XXXXX

JOB NUMBER:

XX-XXX

INSTALL DATE:

5/8/18

DRAWING DESCRIPTION:

Video Detail

FILE NAME:

EDCLV18_St7_Plot.vwx

CREATED:

3/4/18

LAST REVISION:

4/26/18

SCALE:

FITTED PDF'S & FAXES
ARE NOT TO THIS SCALE
(PLEASE USE GRAPHIC
SCALE)

STAMP:

SHEET:

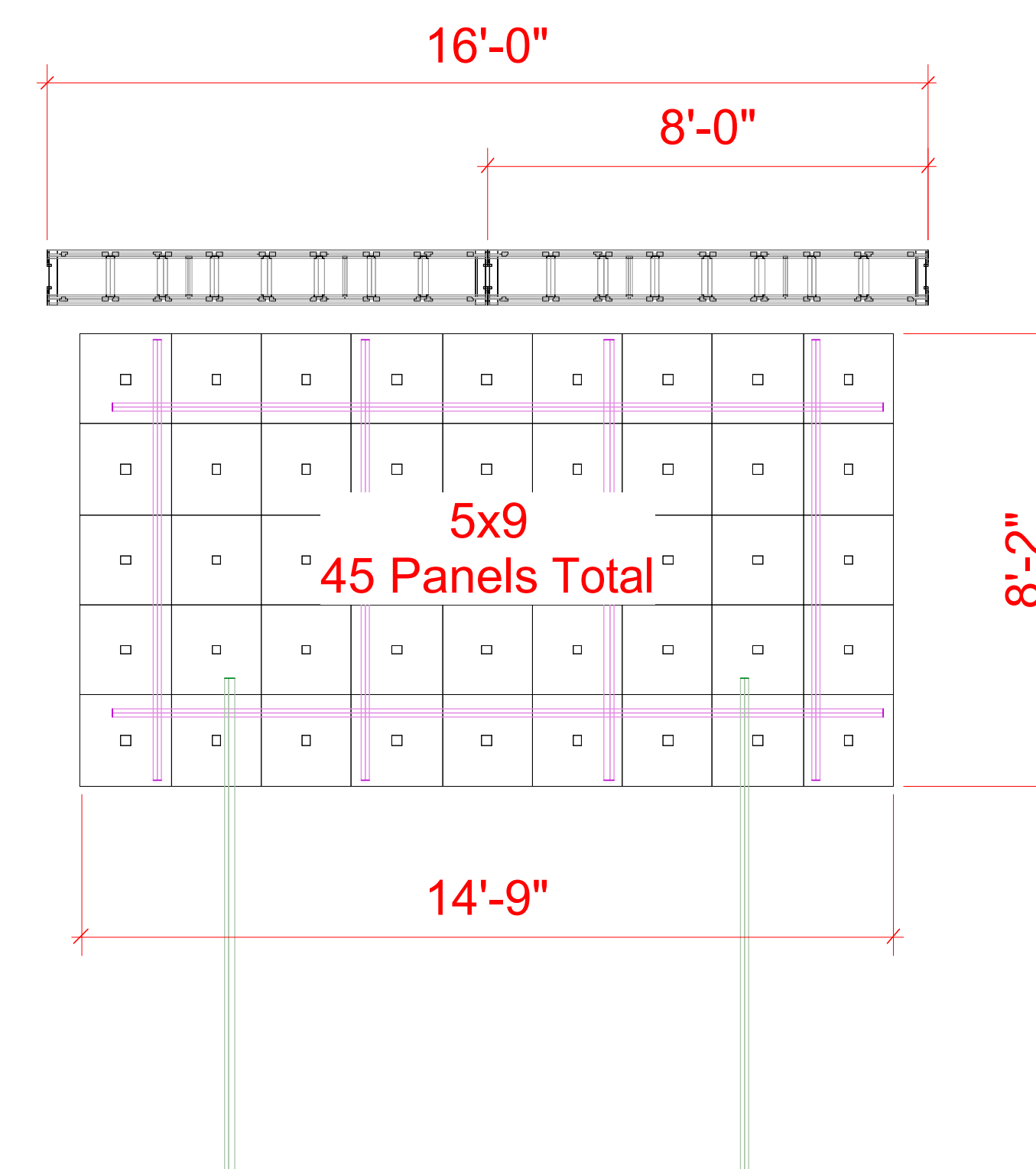
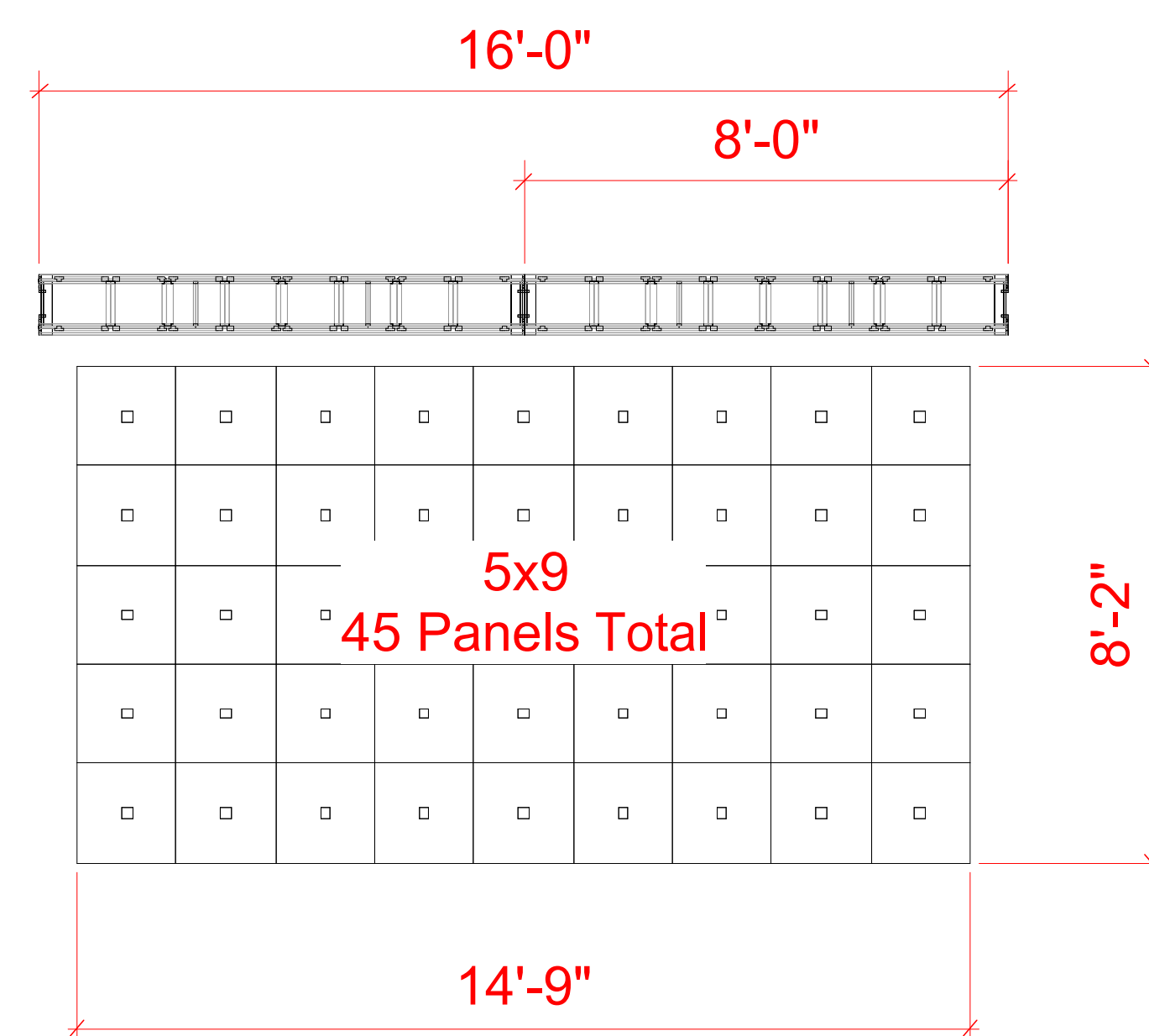
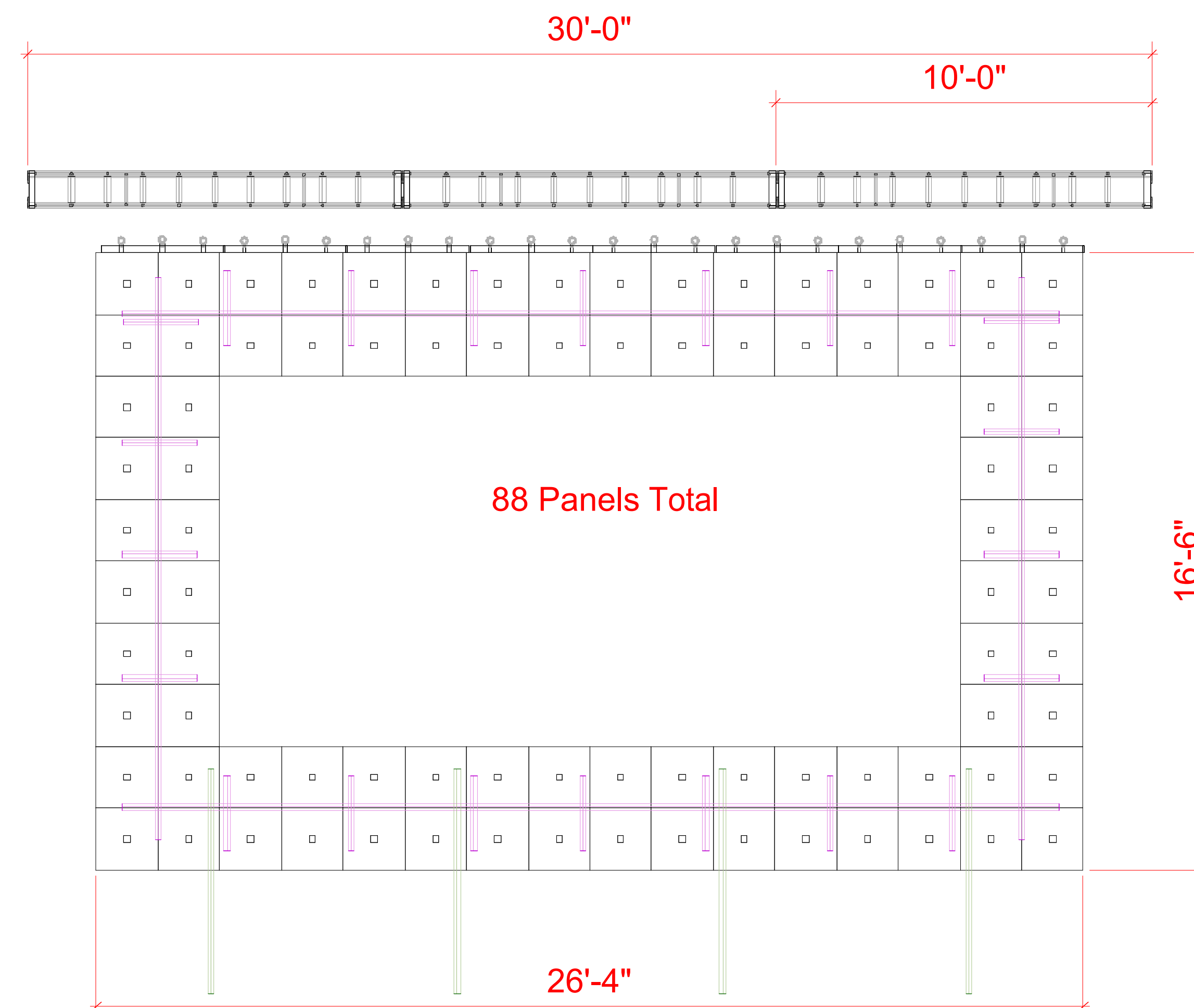
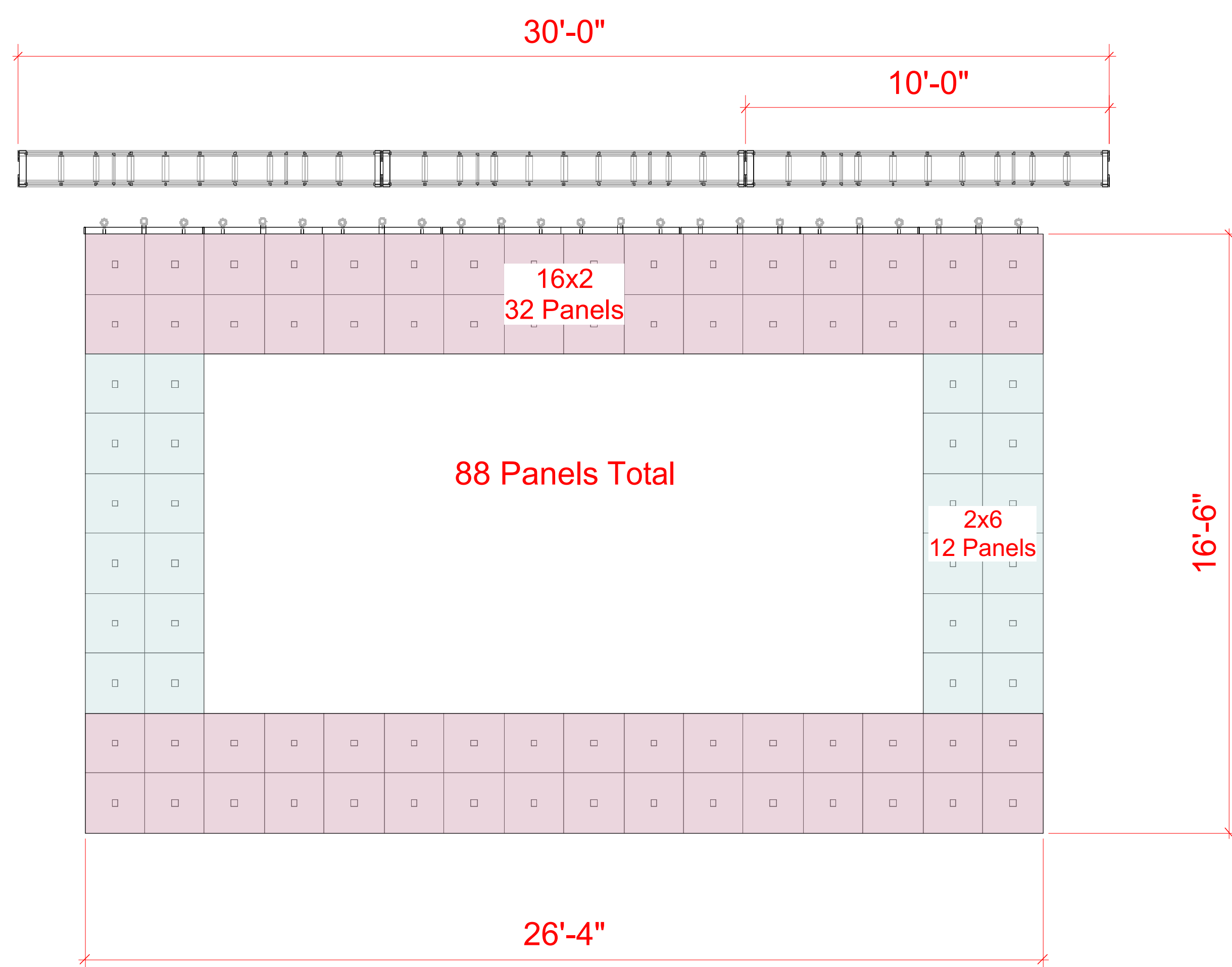
17/18

SHEET SIZE:

24" x 36" (D SIZE)

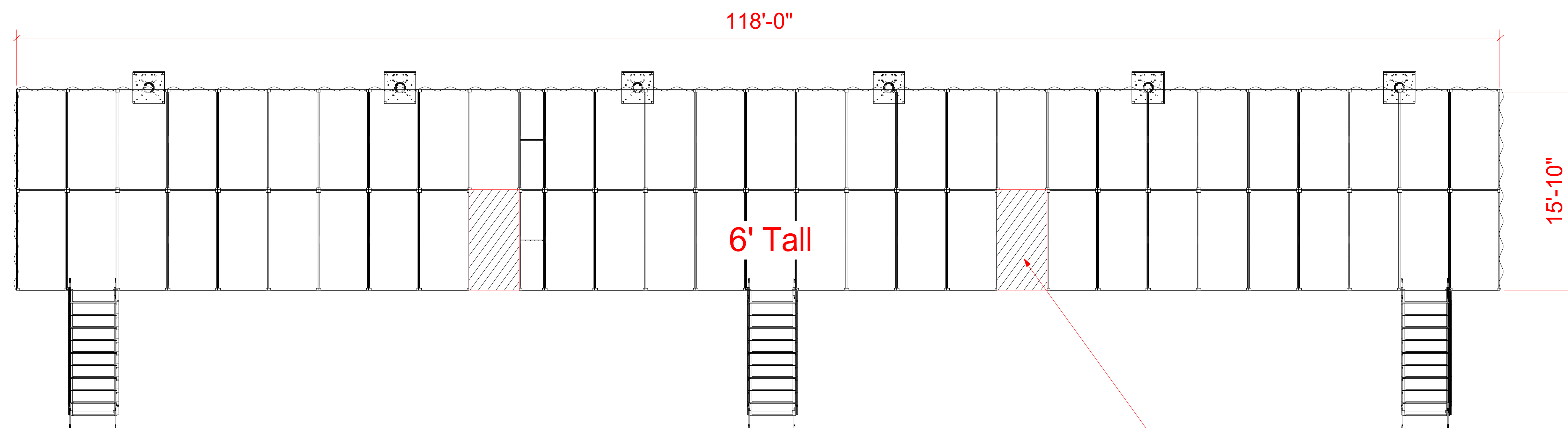
CREATED BY:

Kelsey McGill



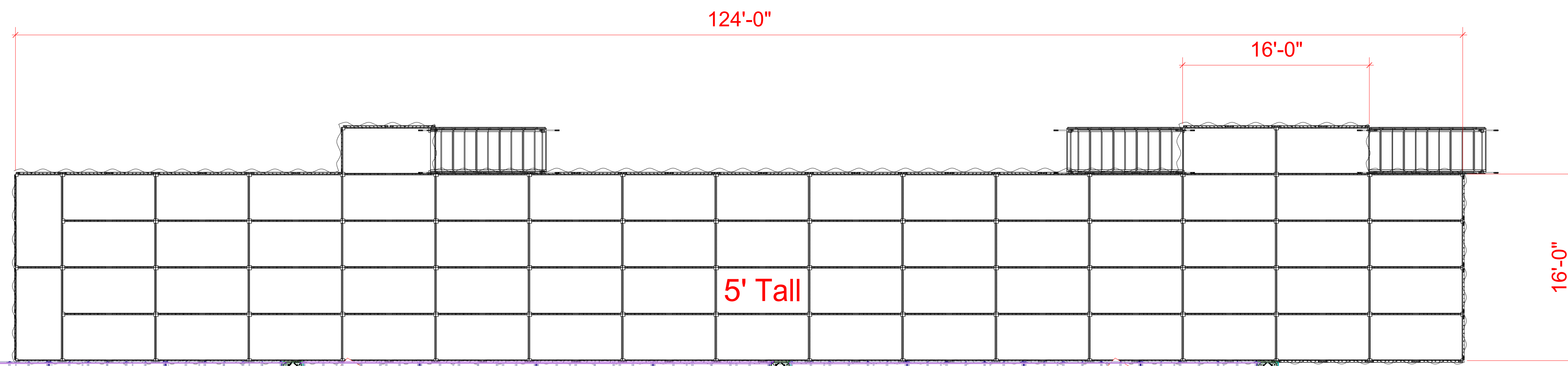
NOTES:

EDC Stage 7 - Quantum Valley
Insomniac
Las Vegas, NV

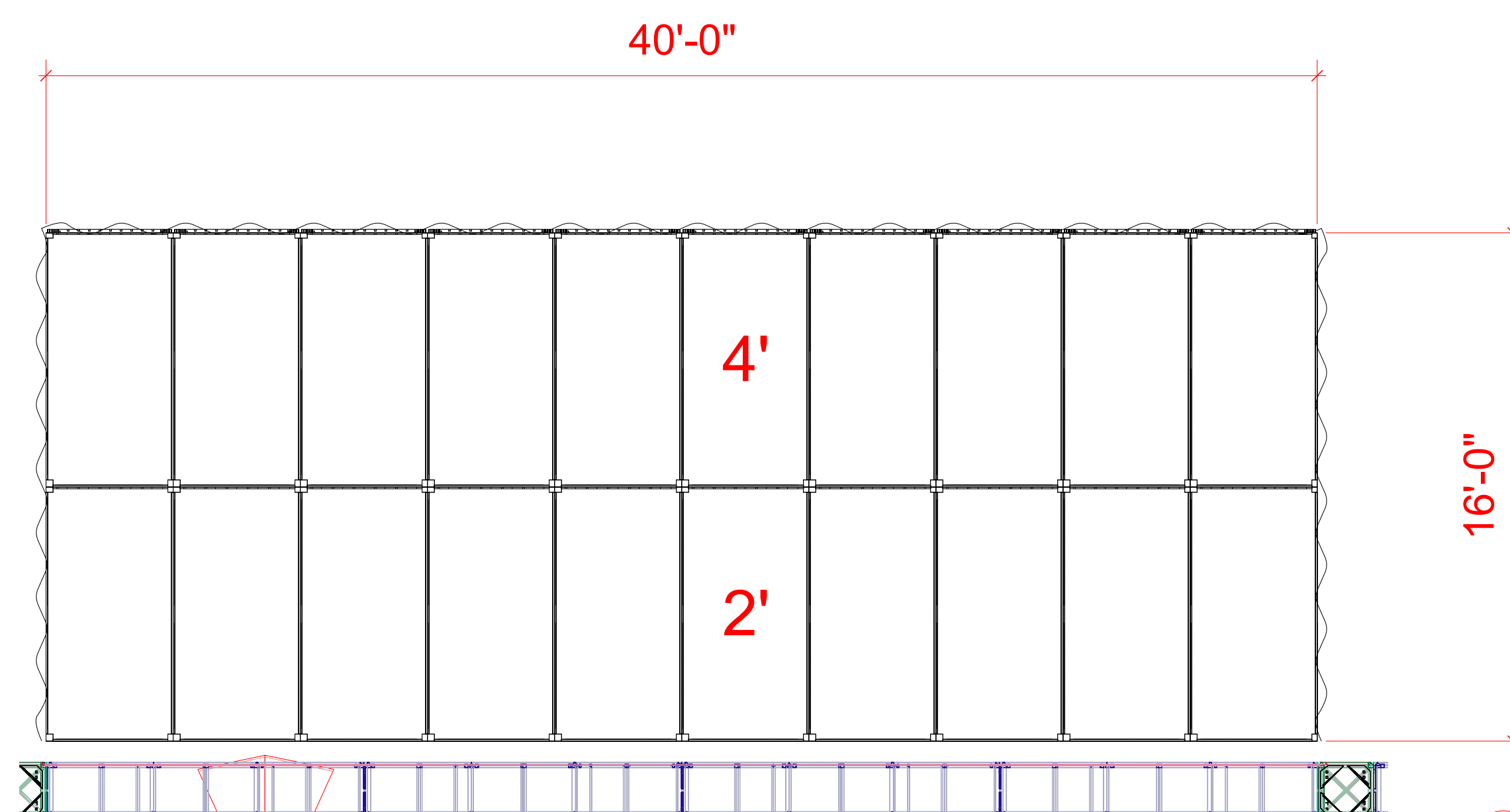


Empty space for structure leg

1 Top View - Stage
Scale: 3/16" = 1'-0"



2 Top View - VIP
Scale: 3/16" = 1'-0"



3 Top View - FOH
Scale: 1/4" = 1'-0"

REVISIONS:	XXXXX
XXXXX	XXXXX
XXXXX	XXXXX
XXXXX	XXXXX

JOB NUMBER:

XX-XXX

INSTALL DATE:

5/8/18

DRAWING DESCRIPTION:

Staging Plan

FILE NAME:

EDCLV18_St7_Plot.vwx

CREATED:

3/4/18

LAST REVISION:

4/26/18

SCALE:

FITTED. PDF'S & FAXES
ARE NOT TO THIS SCALE
(PLEASE USE GRAPHIC
SCALE)

STAMP:

SHEET:

18/18

SHEET SIZE:

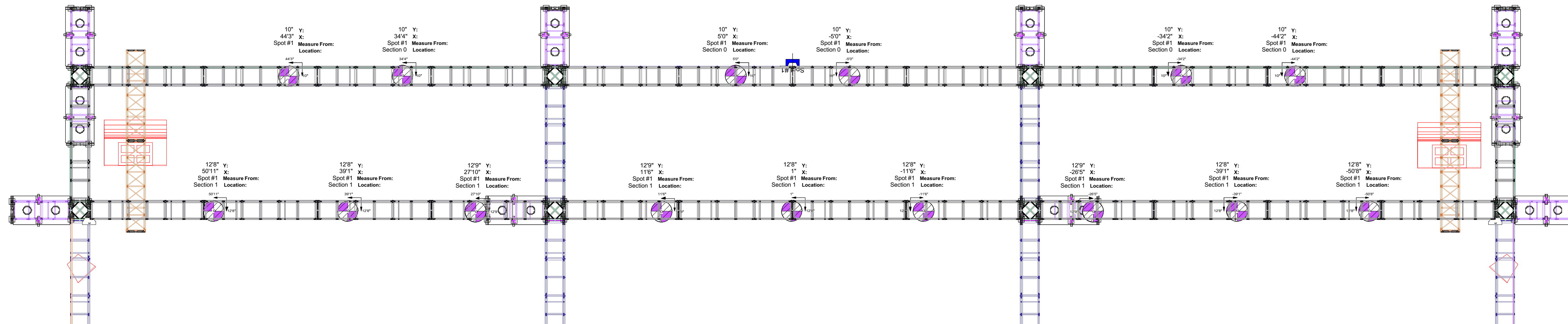
24" x 36" (D SIZE)

CREATED BY:

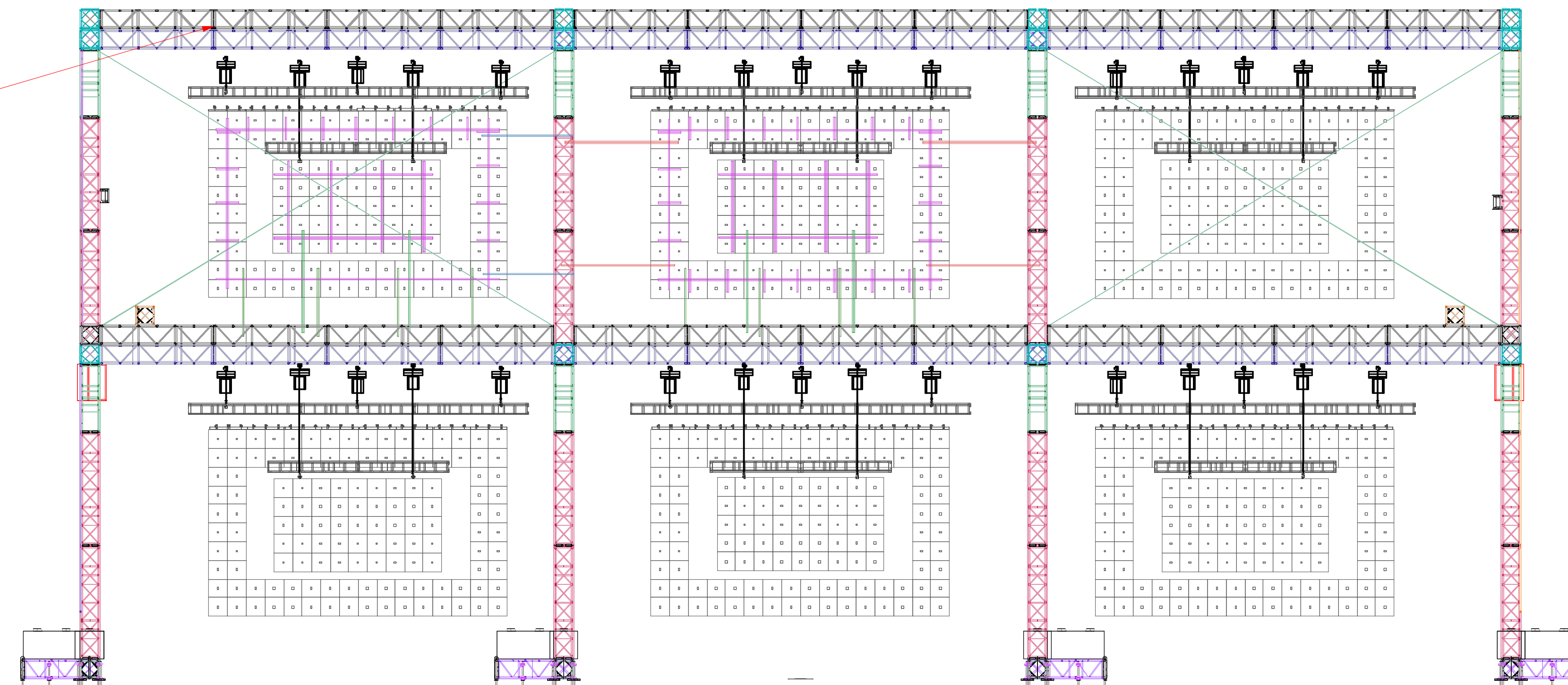
Kelsey McGill

Each symbol represents 2 - 1 ton Video motors.
 1 - Base Level
 1 - Top Level

24 - 1 Ton Motors Total



Motors to be hung on the top tier of the respective truss.



NOTES:

EDC Stage 7 - Quantum Valley
 Insomniac
 Las Vegas, NV

REVISIONS:	XXXXX
XXXXX	XXXXX
XXXXX	XXXXX
XXXXX	XXXXX

JOB NUMBER:
 XX-XXX

INSTALL DATE:
 5/8/18

DRAWING DESCRIPTION:
 Motor Plan

FILE NAME:
 EDCLV18_St7_Plot.vwx

CREATED:
 3/4/18

LAST REVISION:
 4/26/18

SCALE:
 FITTED .PDF'S & FAXES
 ARE NOT TO THIS SCALE
 (PLEASE USE GRAPHIC
 SCALE)

STAMP:

SHEET:
 13/18

SHEET SIZE:
 24" x 36" (D SIZE)

CREATED BY:
 Kelsey McGill